

WOTUO® 沃托

ELECTRIC

INTELLIGENT ACTUATOR ELECTRIC VALVES

沃托电动执行器
电动阀门系列



Company Profile

企业简介

沃托阀门系一家集研发、设计、制造、销售、服务于一体的综合性阀门企业。历经多年的创新与发展，公司已拥有积累多年的阀门设计制造经验和一个高科技知识密集型团队。近年来，公司不断加大软硬件的投入，设有CAD阀门设计中心及三维立体模拟制造实验设计系统及有限元分析等对阀门进行性能测试，保证了新新品开发的质量和速度，使质保体系更加科学完备。公司拥有大型车床、磨床、铣床、镗床、数控机床、液压试验机等机械加工检测设备，已具备规模化、批量化生产的能力。主要产品有气动执行器、电动执行器、蝶阀、球阀、截止阀和通用阀门等系列。产品采用ISO、API、ANSI、BS、DIN、NF、JIS、GB、JB等国内外先进标准生产。

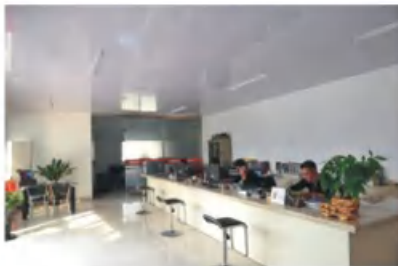
公司已通过TS特种设备制造许可认证、ISO9001质量体系认证、ISO14001环境管理体系认证、GB/T28001职业健康安全管理体系认证，并通过了标准化良好体系确认及计量检测体系确认。公司拥有完善的管理制度，推行全面质量管理，以TSG Z0004-2007质量体系确保产品质量的全过程控制。

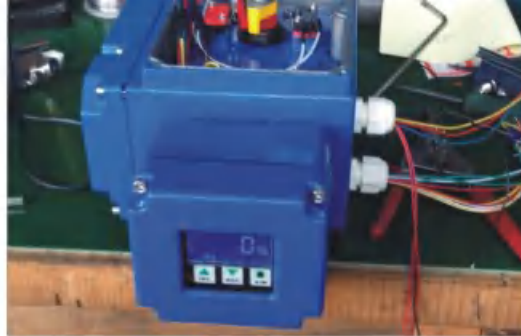
公司倡导“以客户为中心、以品质为保证、以服务为纽带、以共赢为目标”的企业核心精神，坚守“以人为本，科技铸就”的生产准则，努力实现“现代沃托，品牌沃托”的企业宏伟目标。并愿与天下有识之士一起，为中国阀门工业的腾飞做出更大的贡献。

Wotuo valve Department of R & D, design, manufacturing, sales and service in one integrated enterprise of valve. After years of innovation and development, the company has accumulated many years of experience in valve design and manufacturing, and a high-tech knowledge intensive team. In recent years, the company continued to increase investment in hardware and software, a CAD valve design center and three-dimensional simulation experimental system design and finite element analysis to test the performance of the valve, to ensure the quality and speed of new product development, make more scientific and complete quality assurance system. The company has large lathes, grinding machines, milling machines, boring machines, CNC machine tools, hydraulic testing machines and other mechanical processing equipment, already has large-scale, mass production capacity. The main products are pneumatic actuators, electric actuators, butterfly valves, ball valves, globe valves and general purpose valves and other series. Products using ISO, API, ANSI, BS,, DIN, NF, JIS, GB, JB and other advanced standards at home and abroad.

The company has passed TS special equipment manufacturing license certification, ISO9001 quality system certification, ISO14001 environmental management system certification, GB/T28001 occupation health and safety management system certification, and through the standardization and metrology system confirm detection system to confirm the good. The company has a sound management system, the implementation of total quality management, to TSG Z0004-2007 quality system to ensure that the entire process of product quality control.

The company advocates "enterprise spirit of customer centered and quality assurance, to serve as a link, aim to win", adhere to the "people-oriented, science and technology cast" production standards, and strive to achieve the grand goal of modern Wotuo, Wotuo brand "of the enterprise. And is willing to work with the world of insight, for China's valve industry to make a greater contribution to take-off.



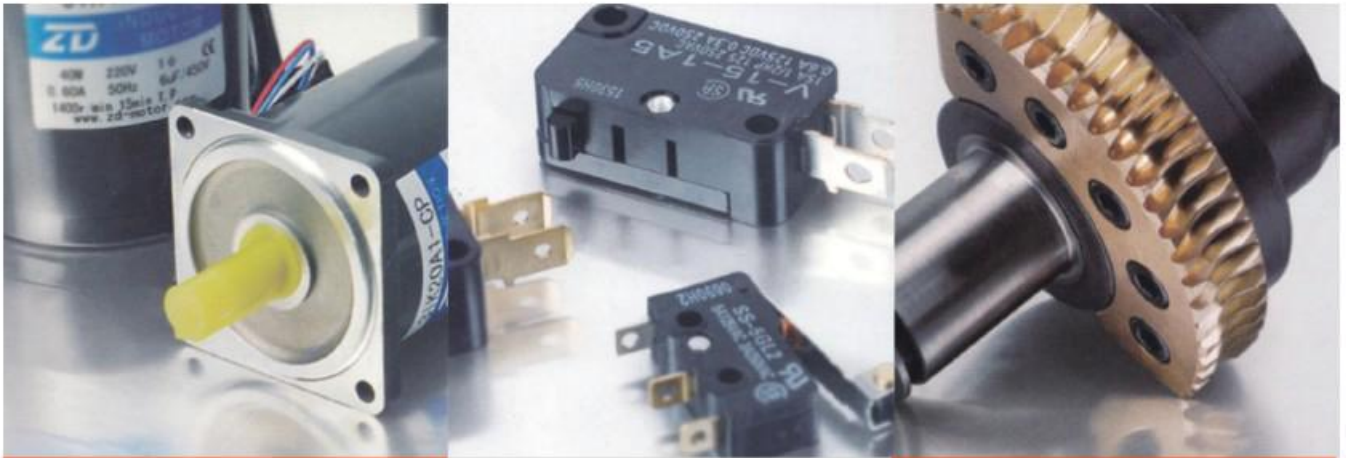


WOTUO® 沃托
上海沃托阀门有限公司
 SHANGHAI WOTUO VALVE CO.,LTD.

企业实力 Equipment

沃托对每一个产品都进行严格的检测。检测员高度负责的用心溶于每一个部件中，加上最先进的检测设备和严格的科学化管理，使每一个生产的成品经得住顾客的精心挑选。沃托人庄严承诺让第一个生产产品都达到出厂标准。这正是沃托产品得以畅销的秘诀所在。

WOTUO does strict test to every product, The high responsible of checker is dissolved to every component, plus the most advanced testing equipment and strict scientific management to make every product endure customers' picking. WOTUO human promises every product leaving factory is eligible. That is the secret of salable for WOTUO product.



WOTUO® 沃托



选用国际一流的零部件，
即使在最严苛的工况下，
也能高效、可靠的运转。

The internationally first-class
parts are used to ensure the
highly efficient and reliable
operation under the most
severe working conditions.

WOTUO® 沃托



电动执行机构系列
Series Electric Actuator

概述 Summary

“ONT”系列电动执行器用于控制0°~270°旋转的阀门及其他同类产品，如蝶阀、球阀、风门、挡板阀、旋塞阀、百叶阀等。可以广泛应用于石油、化工、水处理、船舶、造纸、电站、供热、轻工等各行各业中。它以380V/220V/110V交流电源或24V/110V直流电源为驱动电源，以4~20mA电流信号或0~10V Dc电压信号为控制信号，可使阀门运动到所需位置，实现其自动化控制，最大输出扭矩达4000N·m

“ONT” series electric actuator is used for control 0°~270° rotation of the valves and other similar products, such as butterfly valve, ball valve, damper, flapper valves, cock valves, etc. It's widely used in petroleum, chemical, water treatment, shipping, paper making, power plants, heating, light industry and other industries. It drives by 380V/220V/110V AC power. Control signal is 4~20mA current signal or 0~10V DC voltage signal, enables move the valve to the desired position, achieving its automation. maximum output torque is up to 4000N·m

性能特点 Performance Features

- 1.壳体**--壳体为硬质铝合金，经阳极氧化处理和聚酯粉末涂层，耐腐蚀性强，防护等级为IP67, NEMA4和6。并有IP68和防爆型供选择。
1.Shell--The shell is made of hardness aluminium alloy, with anodic oxidation treatment and polyester coating. It is strong corrosion resistant enclosure IP67, NEMA 4 and 6, IP68 and explosion-proof is optional.
- 2.电机**--全封闭式鼠笼式电机，体积小，扭矩大，惯性力小，绝缘等级为F级，内置过热保护开关，可防止损坏电机。
2.Electric Machinery--Fully enclosed Squirrel-cage electric machinery, small, large torque, and small inertia force, F-class insulation rating. Inside hot protection switch, avoid damaging the electric machinery.
- 3.手动结构**--手柄的设计保证安全可靠、省力、体积小。不通电时，扳动手柄可进行手动操作。不用手动时，将扳手置于扳手夹内，方便使用。
3.Manual Structure--The design handle is safe, reliable, labor-saving, small. When it doesn't have electricity, it can be manually operated by handle. When you don't operate by hand, you can put the wrench in the wrench holder, then you can easily use it.
- 4.指示器**--指示器安装在中心轴上，可以观察阀门位置。透镜采用凸透镜设计，不积水，观察更方便。
4.Indicator--Indicator installs in the center axis, so it can observe the valve position. It adopts convex mirror design, no cumulate water, more convenient to observe.
- 5.干燥器**--用来控制温度，防止由于温度和天气变化导致执行器内部水份凝结，保持内部电气元件的干燥。
5.Space Heater--It is used for controlling temperature, avoiding internal moisture of electric actuator condensed because of the changing of temperature and weather, keep inner electric device dry.
- 6.限位开关**--机械，电子双重限位。机械限位螺钉可调，安全可靠；电子限位开关由凸轮机构来控制，简单的调整机构能精确并方便地设定位置，无需电池支持。（微动开关接点均为银质触点）
6.Limit switch--Mechanical, electronic double limit. Mechanical limit screw is adjustable, safe and reliable; electronic limit switch is controlled by the cam mechanism, easy adjustment in situ can set the position accurately and conveniently, and it doesn't affect overly by handwheel.
- 7.密封**--密封性好，标准产品防护等级是IP67，并可选IP68防护等级。
7.Sealing--Good sealing performance, and the protection class of standard products is IP67, and optional IP68 protection grade.
- 8.自锁**--精密的双蜗轮蜗杆机构可高效传输大扭矩，效率高，噪音低（最大50分贝），寿命长；有自锁功能，防止反转，传动部分稳定可靠，使用无需再加油。
8.Self-Locking--Exact worm and worm gear can efficiently transfer large torque, high efficiency, low noise (max. 50 dB), long life, and it has self-locking function to prevent the inversion, transmission part is stable and reliable, no need to add oil.
- 9.防脱螺栓**--拆除外壳时，螺栓附在壳体上，不会脱落。
9.Anti-off bolt--The bolt will attach to the shell and not be off and when remove the shell. The outside of the bolt is stainless steel.
- 10.安装**--底部安装尺寸符合ISO5211/DIN337国际标准，孔成双四方形便于带方杆的阀线性或45°转角安装，适应性强。可以垂直安装，也可以水平安装。
10.Install--The installation size of the bottom meets international standard ISO5211/DIN337. The drive sleeve can be removed 10 process as required. It can be installed vertically, and also can be installed level.
- 11.线路**--控制线路符合单项或三项电源标准，线路布置紧凑合理，接线端子可有效满足各种附加功能的要求。
11.Circuitry--Control circuit conforms to the single-phase or three-phase power supply standard, reasonably compact line layout, wiring terminals can effectively satisfy a variety of additional functional requirements.

性能参数 Performance Parameter

型号 Model	最大输出扭矩 Max output torque N · m	动作时间90° Operating time (S)	输出轴 Output axis(mm)				电机(W) Electrical machinery	单相额定电流 Single-phase rated current 220v	重量 Weight (Kg)
			方Square	深Deep	圆Round	深Deep			
ONT-003	30	10	9x9	13.5	φ 12.6	26	8	0.15	2.1
			11x11	15.5					
ONT-005	50	30	11x11	15.5	φ 12.6	26	10	0.25	3.6
			14x14	18					
ONT-008	80	30	11x11	15.5	φ 15.7	26	10	0.25	3.6
			14x14	18					
ONT-010	100	30	14x14	18	φ 15.78	28	15	0.35	4.6
			17x17	22.5	φ 18.95	28			
ONT-015	150	30	14 x14	18	φ 18.95	28	15	0.37	4.6
			17x17	22.5					
ONT-020	200	30	22x22	26	φ 22.13	45	45	0.3	13
ONT-030	300	30	22x22	26	φ 28.48	45	45	0.31	13.4
ONT-040	400	30	22x22	26	φ 28.48	45	60	0.33	13.8
ONT-060	600	30	27x27	32.5	φ 31.65	45	90	0.33	14
ONT-080	800	45	27x27	32.5	φ 31.65	45	180	0.47	14.3
ONT-100	1000	135	27x27	32.5	φ 31.65	45	180	0.47	60
ONT-160	1600	135	Max φ 65		深65		180	0.85	60
ONT-200	2000	135	Max φ 65		深65		180	0.85	60
ONT-300	3000	135	Max φ 65		深65		180	0.85	60

标准技术参数 Standard Technical Parameter

外壳 Shell	铝合金外壳, 防水级别: IP67, NEMA4 and 6 Aluminium alloy Shell, waterproof leve: IP67, NEMA4 and 6	
电机电源Power supply	110/220V AC 1 Phase,380/440V AC 3Phase, 50/60Hz, ± 10%。	
控制电源Control supply	110/220V AC 1Phase, 50/60Hz, ± 10%	
电机Eleciric machinery	鼠笼式异步电动机 Squirrel-cage Asynchronous electric Machinery	
限位开关Limit switch	2x开(On)/关(Off), SPDT,250V AC 10A	
辅助限位开关 Accessorial Limit switch	2x开(On)/关(Off), SPDT,250V AC 10A	
行程 Stroke	90° ~270 ± 10° (90° 以上提前说明) When it's over 90° ,please note us in advance	0° ~270°
失效保护, 操作温度 Speed protection/Operating temperature	内置热保护, 开120°C ± 关97°C ± 15°C Inside hot proteclion,On120°C ± 5°C/Off 97°C ± 15°C	
指示器Indicator	连续的位置指示Continuous situation indication	
手动操作Manul operation	机械手柄Mechanicalhandle (可选装手轮Optional:fixing with the handwheel)	
自锁装置Self-locking device	蜗轮, 蜗杆机构提供自锁 Provide self-locking by worm and worm gear	
机械限位MechanicalLimint	2个外部调整螺栓2 pieces of adjustable bolts	
干燥器Space heater	7-10W (110/220V AC)时冷凝Condensation-preventing	
接线孔Bonding hole	2个(Pieces) M18	
环境温度Ambient temperature	-20°C~+70°C	
润滑Lubricalion	铝基润滑脂(EP型) Aluminium base grease(EP)	
材料Material	钢, 铝合金, 铝青铜, 聚碳酸酯 Steel,Aluminium alloy,Aluminium bronze,Polycarbonate	
环境湿度Ambient humidity	最大(Max)90% RH	非凝结 Non-Condensed
抗震性能Shock survial	X Y Z 10g,0.2-34Hz,30分(minutes)	
外涂层Externalcoatinq	干粉, 环氧聚酯Dry powder, Epoxy polyester	

WOTUO®沃托



电动执行机构系列
Series Electric Actuator

03 www.wotuo.net



外观图 Outside View

1. ONT-003外观及安装尺寸
ONT-003 Appearance and installation dimension

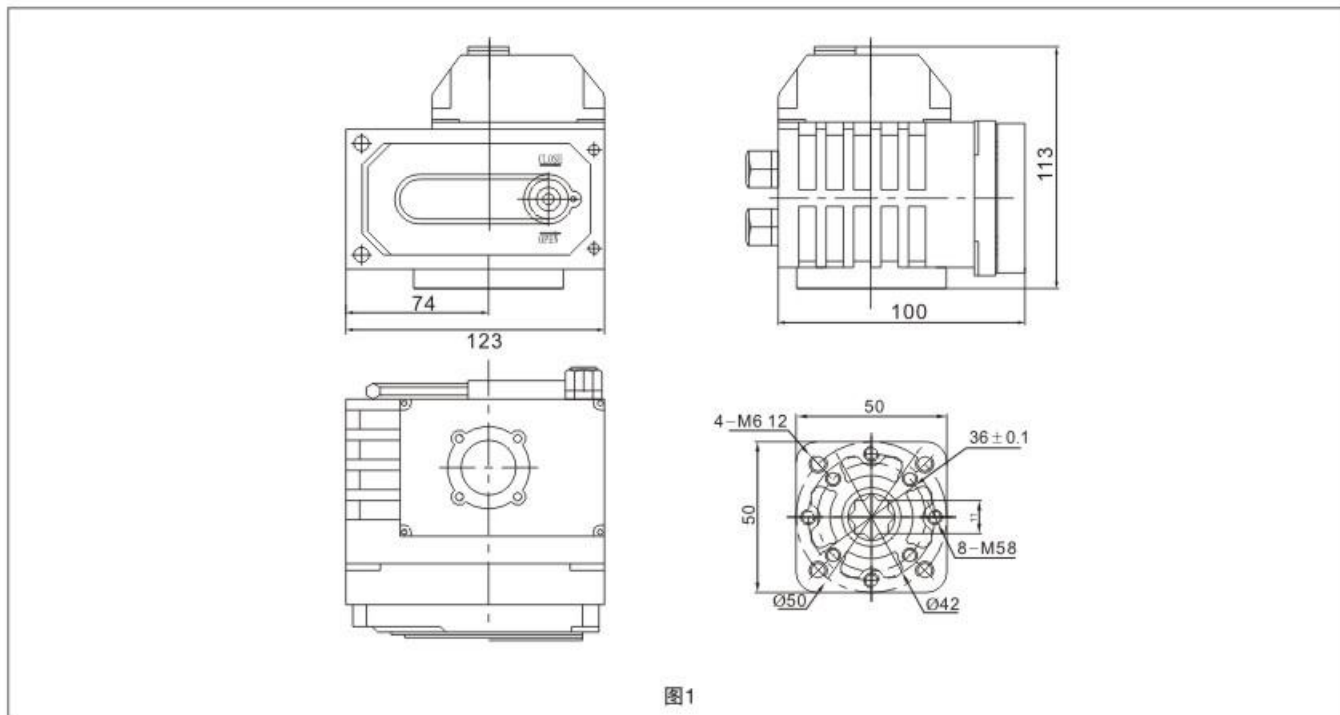


图1

2. ONT-005-008外观及安装尺寸(虚线部分为模拟量控制盒, 开关型无此尺寸)
ONT-005-008 Appearance and installation dimension (The part of broken line is used for analog quantity control box. On-off model don't have this size.)

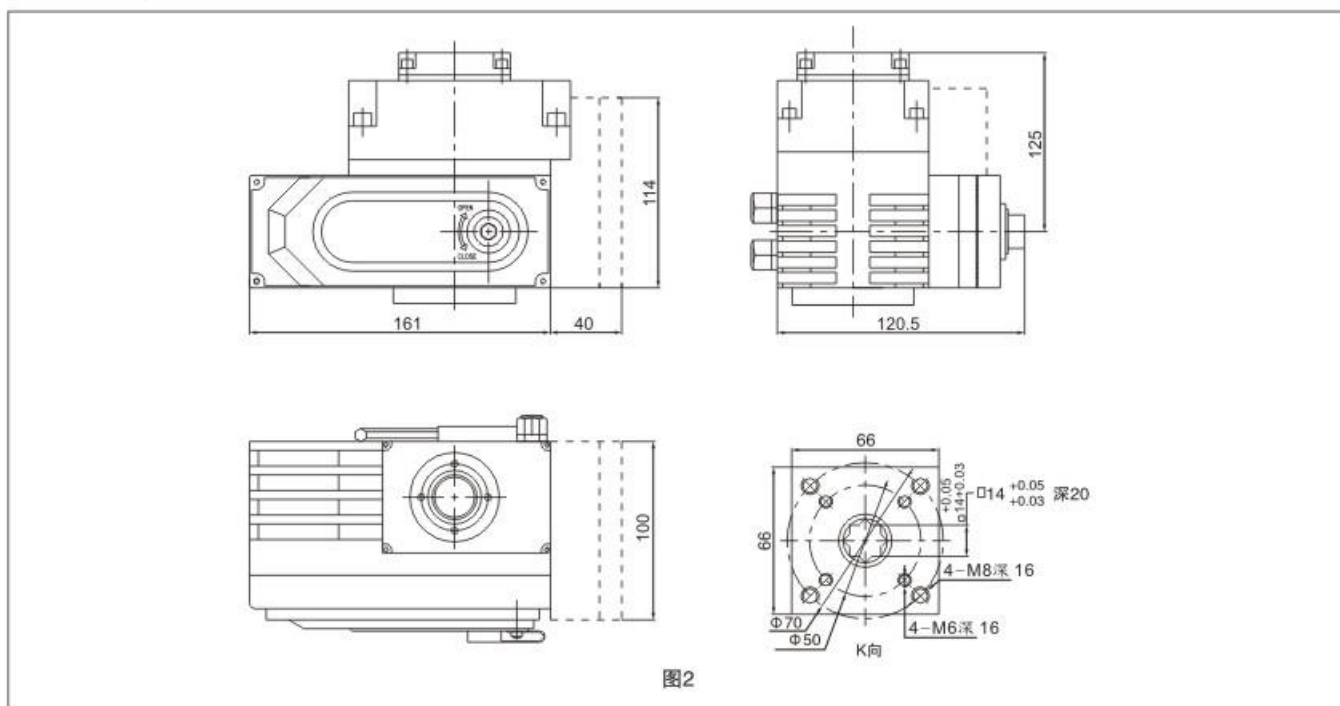
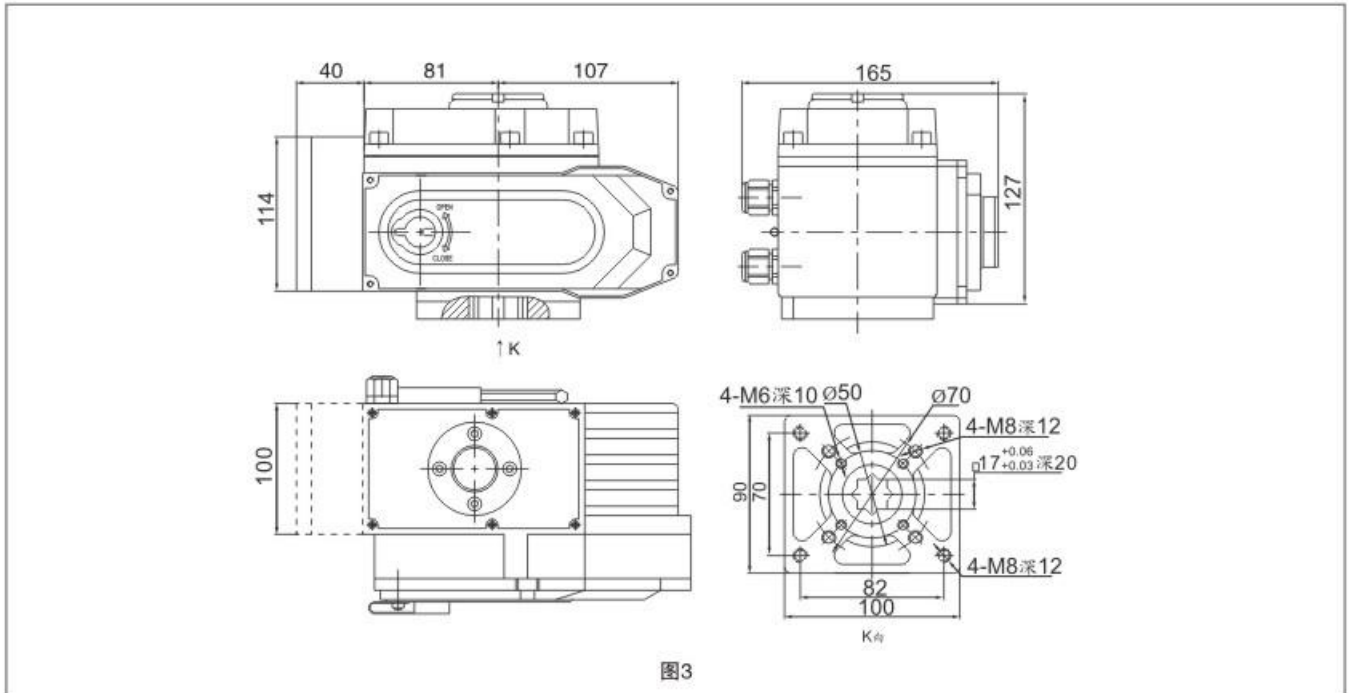


图2

外观图 Outside View

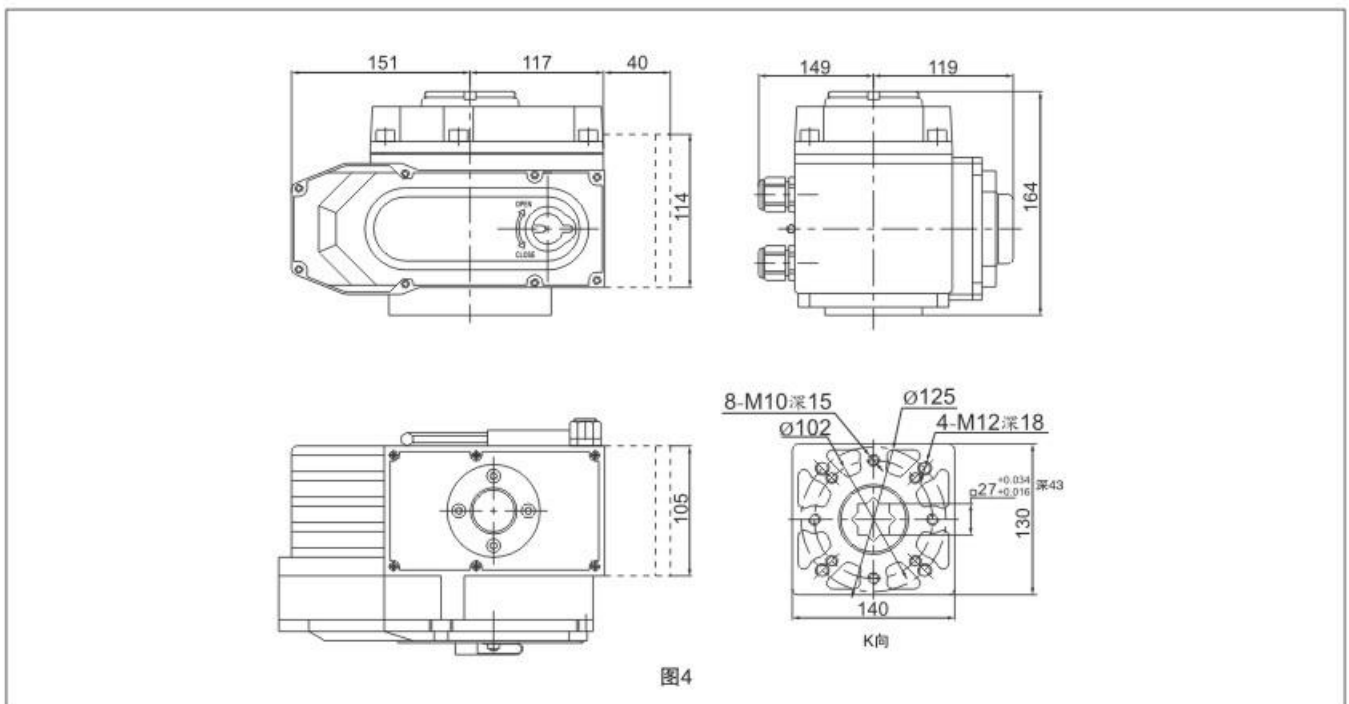
3. ONT-010-015外观及安装尺寸 (虚线部分为模拟量控制盒, 开关型无此尺寸)

ONT-010-015 Appearance and installation dimension(The part of broken line is used for analog quantity control box. On-off model dont have this size)



4. ONT-020-080外观及安装尺寸 (虚线部分为模拟量控制盘, 开关型无此尺寸)

ONT-20-80 Appearance and installation dimension(The part of broken line is used for analog quantity control box, On-off model dont have this size)



WOTUO® 沃托

WOTUO®

沃托

WOTUO®
沃托



>>> 电动执行机构系列
Series Electric Actuator

www.wotuo.net 06

5. ONT-100-300外观及安装尺寸 (虚线部分为模拟量控制盒, 开关型无此尺寸)

ONT-100-300 Appearance and installation dimension (The part of broken line is used for analog quantity control box, On-off model don't have this size.)

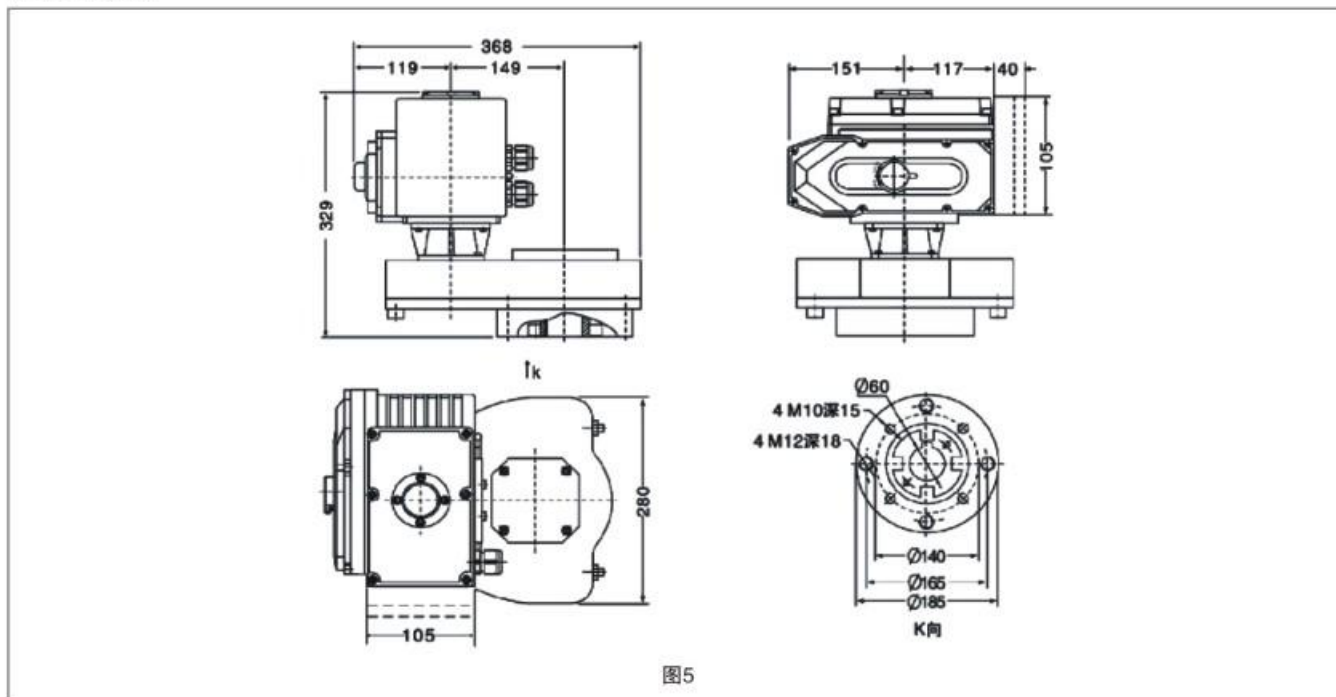


图5

线路图 Circuit Diagram

1. 标准开关无源触点信号输出线路图

Standard on-off passive contact signal output circuitry

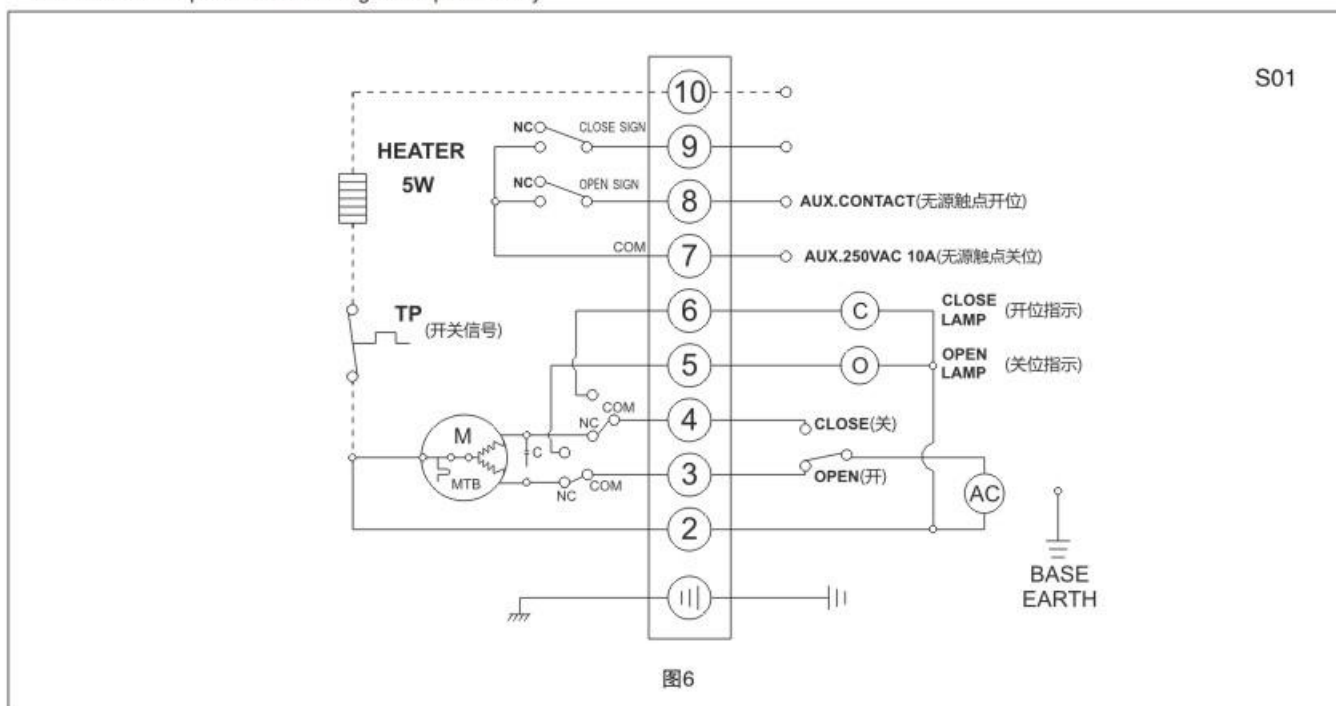
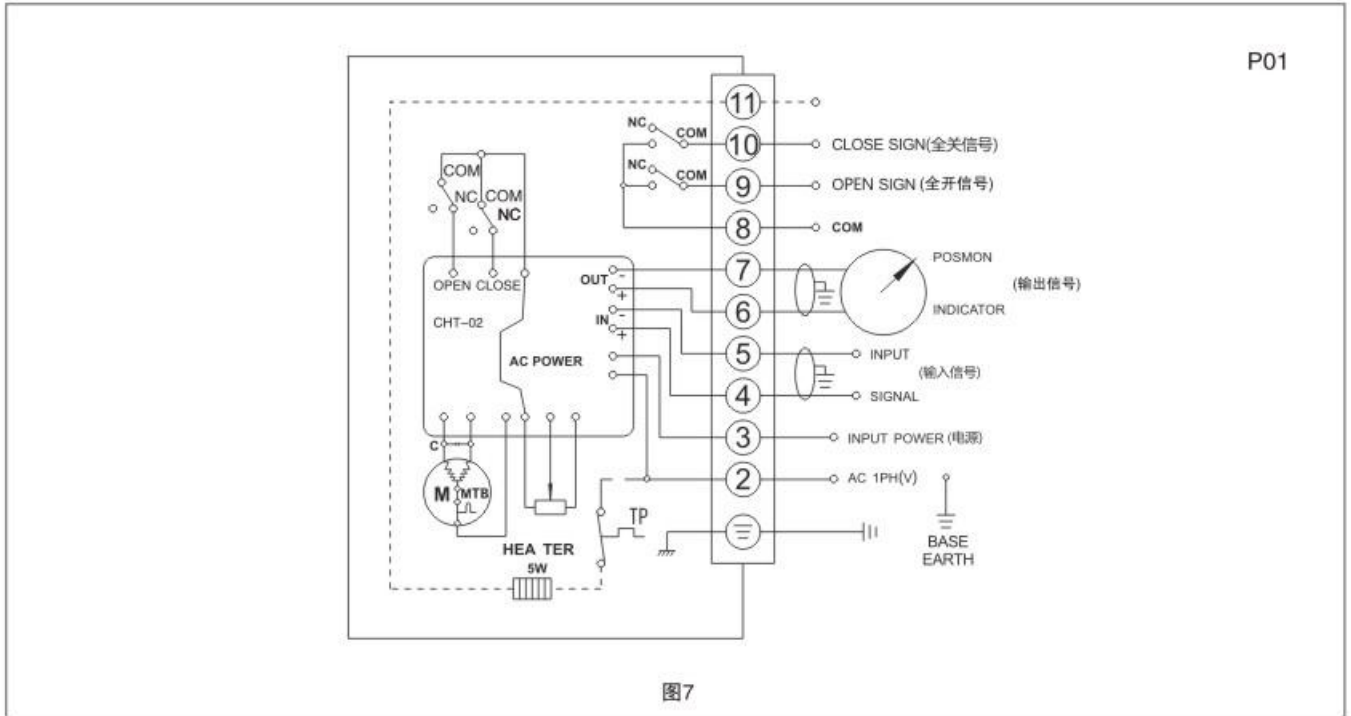
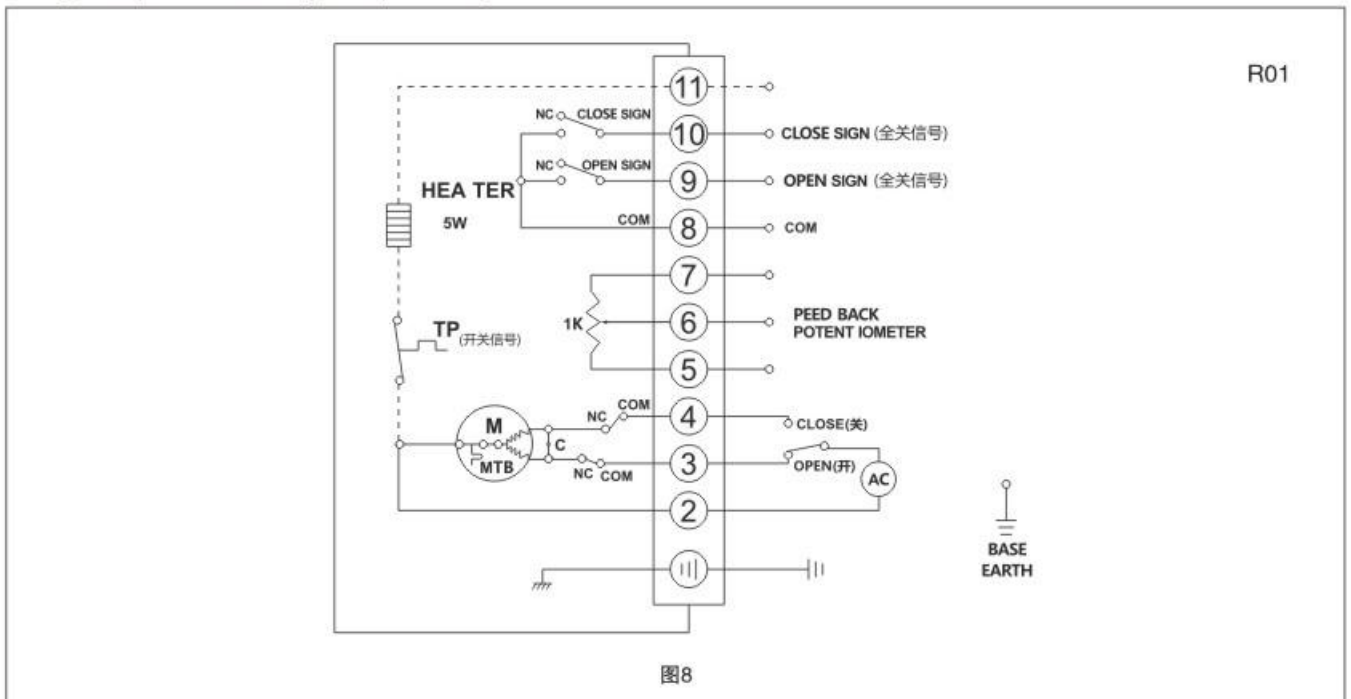


图6

2. 模拟量无源触点信号输出线路图
Analog quantity passive contact signal output circuitry



3. 角度及无源触点信号输出线路图
Angle and passive contact signal output circuitry



线路图 Circuit Diagram

4. 380/440VAC/50/60Hz, 3相(外量控制开关型)
 380/440VAC/50/60Hz 3Ph(Outer control On-off model)

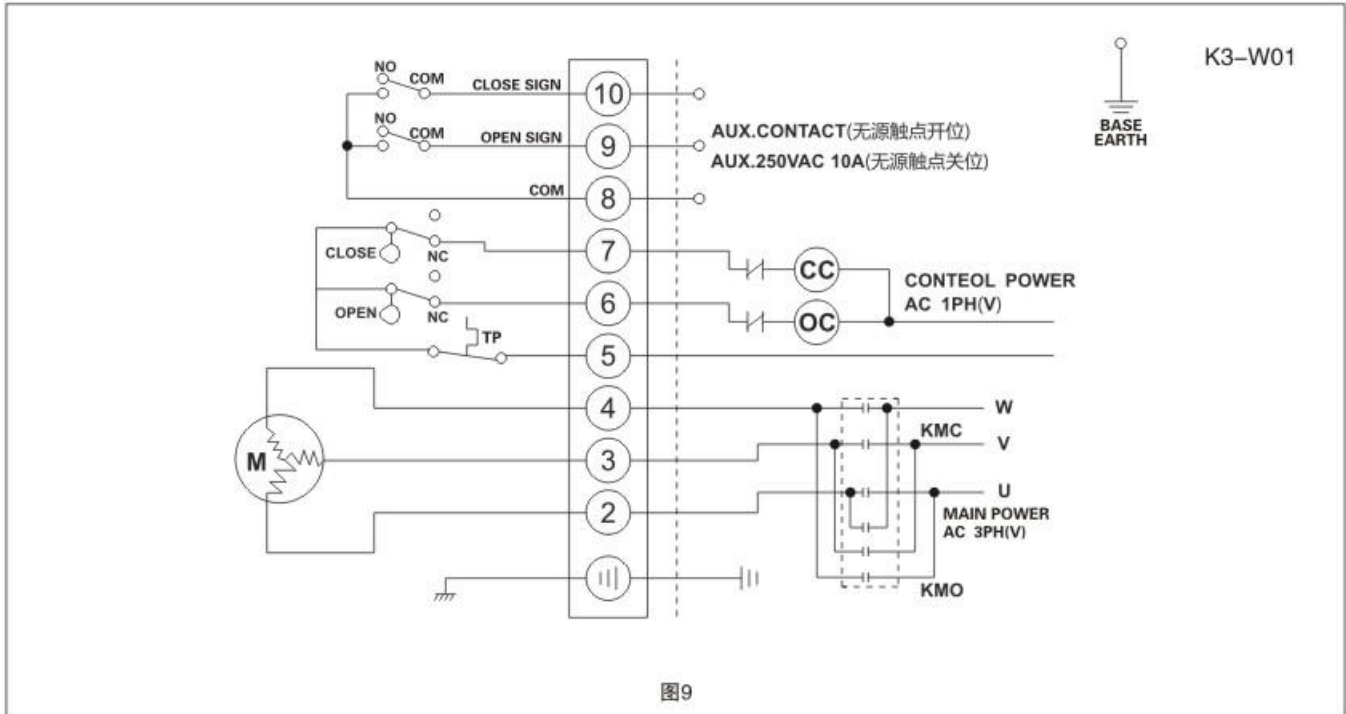


图9

5. 开关量输入4~20mA信号及开关信号输出线路图
 On-off input 4~20mA signal and open-closed signal output circuitry

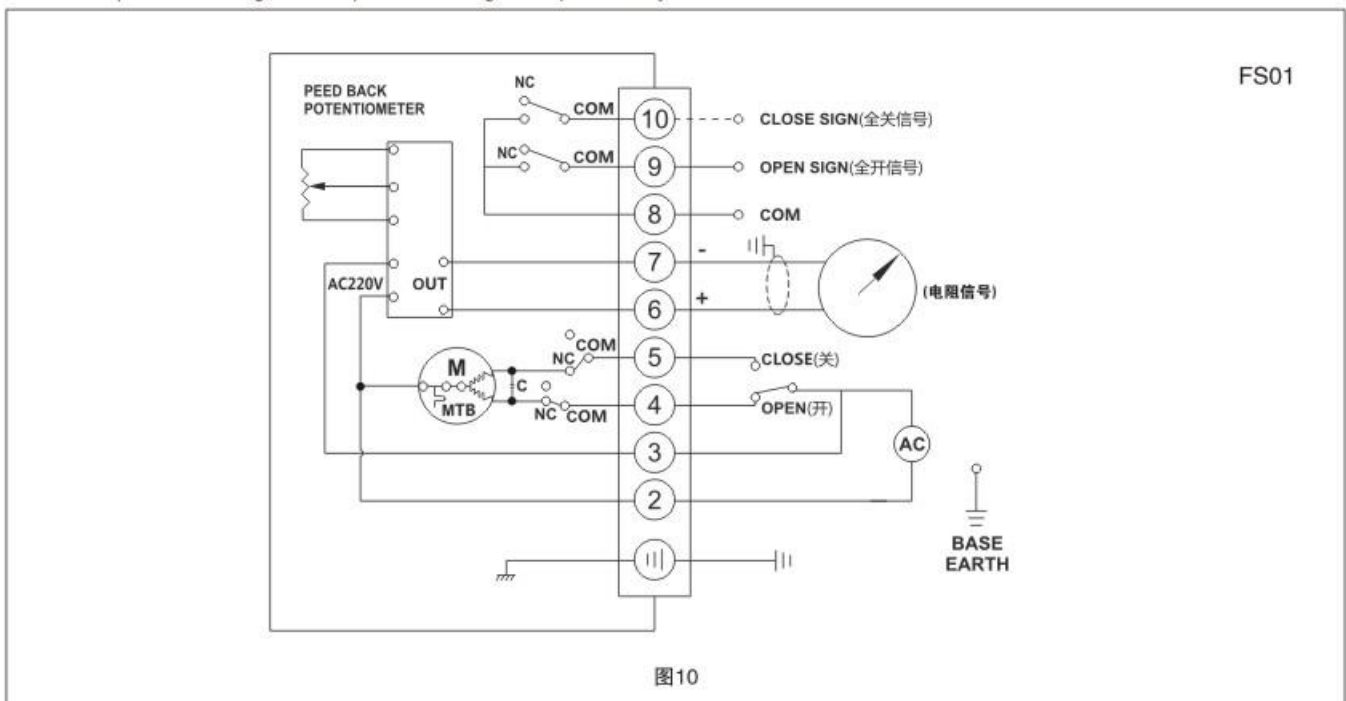
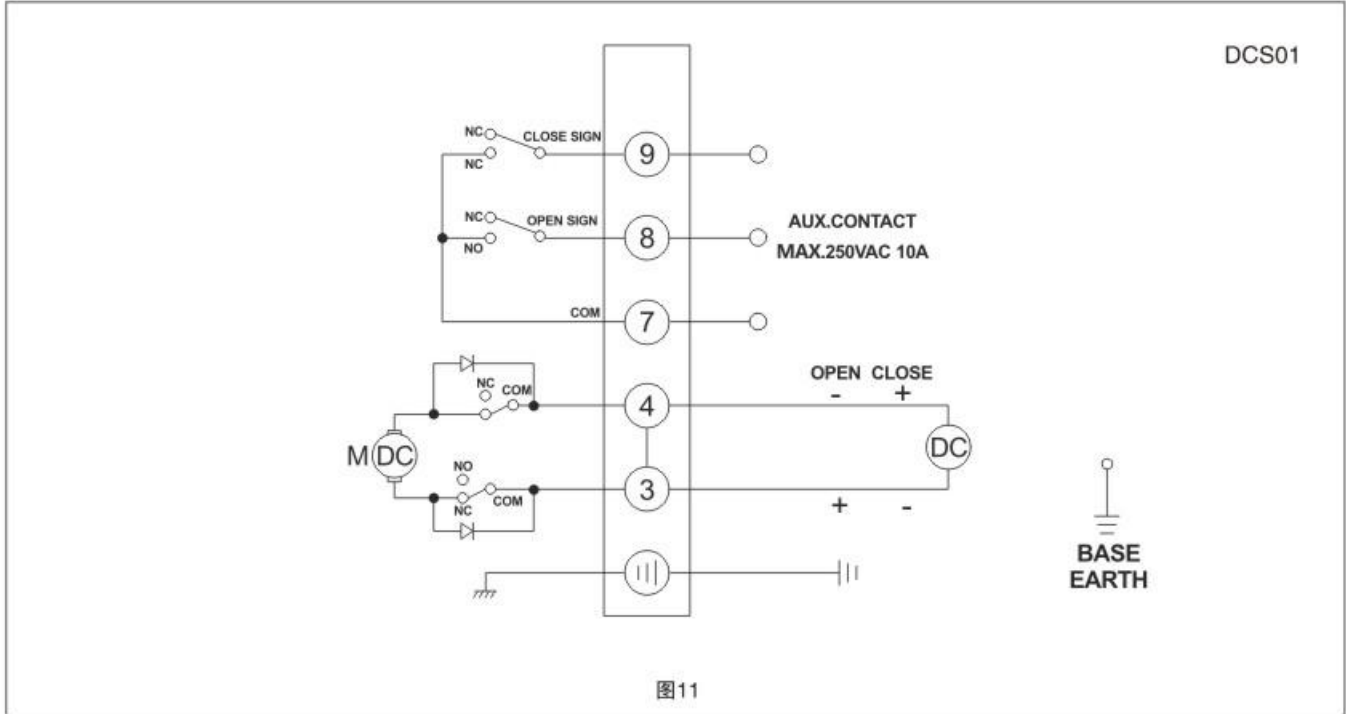


图10

6. 直流标准开关无源触点信号输出线路图
DC Standard On—Off Passive Contact signal output Circuitry



结构 Structure

电动执行器主要由以下几部分组成 Electric actuators is make up of the following parts:

- 壳体部分：包括外壳及底座部分；
Shell: including shell and pedestal
- 驱动部分：以高性能全封闭鼠笼式电机为动力源；
Drive parts: Full sealing high-performance squirrel-cage motor for the power source
- 传动机构：蜗轮与齿轮传动部分；
Driving mechanism: Worm and gear drive parts
- 比例控制部分：与机械部分分离，便于调试；
Ratio control parts: separate with the mechanical parts, easy to debug
- 限位开关部分；
Limit switch part
- 开度检测与反馈部分。
Opening Detected and Feedback Parts

执行器的安装 Installation Of Electric Actuators

1. 安装场所

1.1 室内安装的注意事项 Notes of interior installation

- 属非防爆产品，所以不要安装在有爆炸性气体的地方；
It's not a explosion-proof product, so that please don't install in the place of explosive gases;
- 安装在有水淹没及户外请提前说明；
When installing in the submerged or outdoor, please note us in advance;
- 请预留接线，手动操作等维修用空间。
Please reserve space for repairing cables, manual operation;

1.2 室外安装的注意事项 Notes of outdoor installation

- 为了避免雨水，阳光直射等问题，需要安装保护盖，或选用防护等级IP68

In order to avoid the rain, direct sunlight and so on, it needs to install a protective cover, or choose IP68 protection grade.

- 请预留接线、手动操作等维修用空间。

Please reserve space for repairing cables, manual operation

2. 环境温度、流体温度条件 The condition of Ambient temperature and Fluid temperature

2.1 环境温度 Ambient temperature

- 环境温度在 $-30^{\circ}\text{C}\sim+60^{\circ}\text{C}$

Ambient temperature at $-30^{\circ}\text{C}\sim+60^{\circ}\text{C}$

- 环境温度为零度以下时，在机内加装除湿加热器。

When ambient temperature is below zero, the machine needs to install space heater.

2.2 流体温度 Fluid temperature

- 与阀门配套使用时，流体的热量会传到机体上面，机体温度会升高。流体温度属高温时，与阀门连接的支架要作特别处理

When using with the valve, the heat of the fluid will move to the body, then the body temperature will rise. When the fluid temperature is a high temperature, the bracket which is connecting with the valve need to make special treatment.

- 标准支架：流体温度 $+65^{\circ}\text{C}$ 以下使用标准支架或免支架

Standard bracket: when the fluid temperature is below $+65^{\circ}\text{C}$, it use standard bracket or no need to use bracket;

- 中温支架：流体温度 $+65^{\circ}\text{C}$ 以上使用中温支架

Intermediate temperate bracket: when the fluid temperature is over $+65^{\circ}\text{C}$, it use intermediate temperate bracket;

- 高温支架：流体温度 $+180^{\circ}\text{C}$ 以上使用高温支架

High-temperature bracket: when the fluid temperature is over $+180^{\circ}\text{C}$, it use high-temperature bracket.

3. 与阀门的连接 Connect with the valve

- ① 手动转动阀门，确认无异常情况，并转到全闭位置；

Turning valves by hand, confirmed that it didn't have abnormal situation, then turn to full-Closed position;

- ② 将支架固定在阀门；

Fix the bracket on the valve

- ③ 将电动装置放在支架上用螺栓和螺母轻轻拧上；

Put the electric actuator on the bracket, then screwing the bolts and nuts lightly;

- ④ 将电动装置转到关闭位置，用联轴器和螺钉将阀门芯轴和电动装置输出轴固定；

Put the electric actuator to the closed position, fixing valve mandrel and electric actuator with coupling and screw bolts;

- ⑤ 拧上电动装置和支架间的螺钉；

Screw the bolts between the electric actuator and the bracket;

- ⑥ 用手柄转动电动装置，确认无偏心、弯斜、运动平稳，注意不要超程！

Rotate the electric actuator by handle to confirm non-eccentric, curved ramps, smooth movement, and pay attention to not over travel!

- ★ 注意事项：联轴器尽量减小回差

Note: Decrease hysteresis of the coupling as far as possible.

安装时，注意使执行器的开关与阀门的开关一致。执行器底部的法兰符合ISO5211标准，如果与之连接的阀门也符合此标准，则可方便连接；如不符合此标准，则需另加支架连接。

Pay attention to keeping the switch of electric actuator in line with the switch of the valve when installing. The flange of the electric actuator bottom conform to the standard ISO5211. if the valves which connect with the flange are also conform to this standard. it will be connect conveniently; if doesn't, it should be connecting with the bracket in addition.

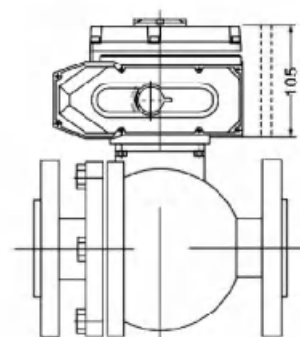


图12

调试说明 Debug Description

1. 行程限位的调整 (图13, 图14) Adjustment of stroke limit

转动手轮使执行器运动到阀门全关的位置。然后，用扳手松开限位凸轮固紧螺母，转动限位凸轮(黄色开，红色关) 将其调整到恰好压下限位开关(CLS)的位置，再将限位凸轮螺母固紧。这样就设定好了执行器全关时行程限位的位置。全开时的位置同样方法设定。

Turn round handwheel making the electric actuator moved to the full-closed position. And loosen nuts on limit cam by spanner rotating limit cam (yellow open, red close) to adjusting just push down limit switch (CLS) position, and then screw limit cam nut. So. It's the way to set the full-closed stroke limit position of the electric actuator. Full-opened position is setting as the same way.

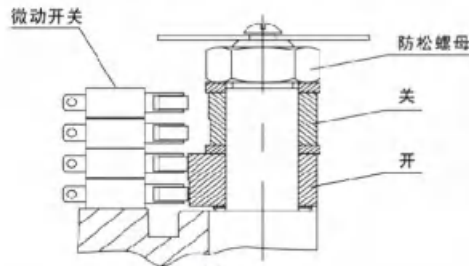


图13

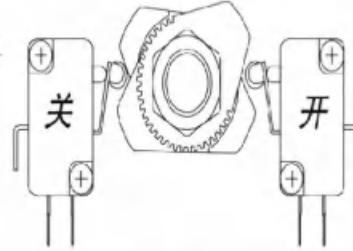


图14

2. 机械限位的调整 Adjustment of mechanical limit

松开机械限位螺钉的锁紧螺母，然后手动使执行器运动到全关的位置，旋转限位螺母，当其碰到里面的扇形齿轮后停止转动，再旋出两圈，最后上紧锁紧螺母。这样就设定好了执行器全关时的机械限位的位置。全开时的位置可同样设定。如图15所示：

Loosen the nuts of the mechanical limit, and then move the electric actuator to the full-closed position by hand, rotating the limit nuts. stop rotating when it comes across inside the fan-shaped gear, and then circle out two circles. screw the nuts at last. So, it's the way to set the full-closed mechanical position of the electric actuator. Full-open position is setting as the same way. Follow as the picture 14;

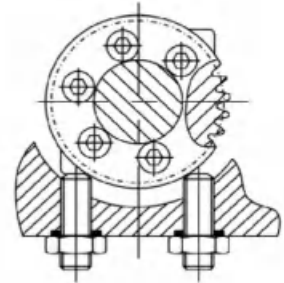


图15

3. 电位器的调整 Adjustment of potentiometer

电位器在执行器中作为一种反馈信号输出，有三个输出端子，其中②脚接电位器的滑臂。①脚接执行器开动作时，与滑臂之间的电阻不断减小一端。③脚则接执行器关闭动作时与滑臂之间的电阻不断减小一端（注意：电位器不应出现阻值过零，跳变现象）。用手柄转动阀门到全开位置，以开到限位开关动作为准，用万用表测量，将接线端子上②脚①脚电阻调整到 35Ω - 60Ω 之间。若不正确可通过转动电位器传动齿轮调整。

Potentiometer is used for exporting feedback signal in the actuators, it exports 3 pieces of terminals. thereinto ② side connect with slide arm of potentiometer (refer to picture 16) ① side connect with the terminal which resistance between slide arms constantly decrease. when the actuator is opening movement, ③ side connect with the terminal which resistance between slide arms constantly decrease, when the actuator is closed movement. (Note: The potentiometer resistance should be not over-zero. jump phenomenon) Rotating the valve to the wide-open position by handle, as per open to limit switch closed movement, measured with a multimeter to adjust the resistance between ② and ① side to 35Ω - 60Ω. If it's not correctly, it can adjust through rotating drive gear of potentiometer.

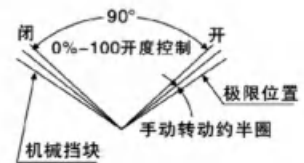
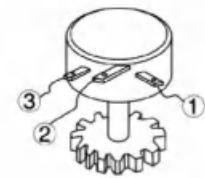


图16

调试说明 Debug Description

1. 手动操作 Manual Operation

进行手动操作时，必须先把电源切断；摘下减速盖的橡胶帽，将附带的手柄插入六角孔内；将手动手柄按顺时针方向转动使开度减少。

First of all, it should be cut off the power, when it's operating by hand; take off the rubber caps on the gear cover, put the accessory handle in the hexagonal hole; rotate the handle clockwise direction to reduce the opening

★注意：开度转到全开、全团位置时，极限开关产生动作再转动半圈，会碰到机械挡块上，过分转动，会导致其它零件的损坏，因此要避免用力过大。

Note: Opening to the full-open or full closed position. limit switch turns half circle, it will comes across mechanic block, if rotate excessively. it would result the damage of other parts, so it should be avoid excessive force.

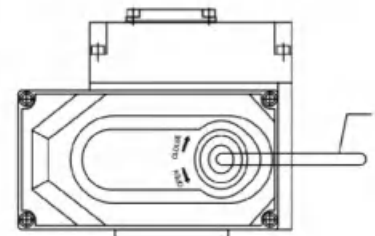


图17

2. 电动操作 Electric operation

⊙电动操作之前，先用手动操作的方法，检查开度计和阀门角度（全开、全闭）是否一致：

Before electric operation, checking opening meters in line with the angle of valves by the methods of manual operation(full-open, full-closed);

⊙检查接线是否正确，同时必需先用外部切换开关，确认开闭动作；

Check the wiring correct, at the same time need to use an external switch to confirm opening and closing movements;

⊙确认以上状态之后，开始电动操作。

After confirm the over status then start electric operation

3. 注意 Note

①检查接线图，电源，输入/输出信号是否正确。

Check wiring diagram, power supply, input/output signal correctly

②尽量不要改变内部接线。

Don't change the internal wiring

③如果电源为3相，应检查旋转方向。

If the power supply is 3 phase, it should be checking the rotating direction

④手动使执行机构处于半开/关位，通电并输入开信号。

Enable the electric actuator lies in a half on/ff position, turn on electricity and input the open signal

⑤如果执行机构向开位运行，则说明接线正确。

If the electric actuator runs to the open position it means the wiring is correct

⑥如果运动方向相反，则必须交换3根电源线中的两根。

If the running direction is opposite, it must be change 2 pieces wiring in 3 pieces of wiring

保养 Maintenance

加油：由于使用寿命长，耐压性好的特殊钼基润滑脂，所以不需加油；

Oiling: Because of using the long life, good pressure resistance of special Mo-based grease, so it doesn't need to add the oil.

定期运转：在阀门的动作很稀少时，可以定期驱动机器，检查在无异常。

Regular operation: When the valve works infrequently, it should be driven the machine regularly, checking abnormality or not.

★注：模拟量调节型调试说明请参阅执行器控制模块部分说明书。

Note: Debuging description of analog volume adjustment type, please refer to the specification of the actuator control module part.

其他个性化功能电动执行器 Other personalized features electric actuators

⊙阀门全开、全关动作时间2.8秒到8秒（可选），用于一些需快速动作的工况；

The time of the valve move to full-open or full-closed only need 2.8s-8s(optional),it's used for some working condition which need to move quickly.

⊙水下短时间工作，用于一些有时电动执行器被水浸没的工况。

Working under the water in short time. It's used for some working condition which the electric actuator is immerged In the water sometimes.

⊙阀门全开、全关特别缓慢，执行器可使阀门旋转90° 动作时间达到650秒；

The valve move to full-open or full-closed slowly in particular, the actuator is enable to rotating the valve 90° achieve 650s.

⊙手动操作可采用带离合手轮机构；

Manual operation adopts handwheel with clutch.

⊙具有现场，就地/远程切换功能；

It's provided with the scene, local/remote switching function.

⊙有 DC 12V, DC 24V, DC 110V, DC 220V; AC 24V, AC 110V, AC 380V. 可订做；

It's provided with DC 12V, DC 24V, DC 110V, DC 220V; AC 24V, AC 110V, AC 380V;

★注：其他不详或特殊规格，请与本公司技术部联系。

Note: Other unknown or special specifications, please contact with Technology Department of our company.

WOTUO® 沃托



>>> OHQ系列防爆电动执行机构系列
OHQ Series Explosion-proof Electric Actuator

www.wotuo.net 14

概述 Summary

OHQ系列电动执行器用于控制0° -270° 旋转的阀门及其他同类产品，如蝶阀、球阀、风门、挡板阀、旋塞阀、百叶阀等，可以广泛应用于石油、化工、水处理、船舶、造纸、电站、供热、楼宇自控、轻工等各行行业中。它以380V/220V/110V交流电源为驱动电源，以4-20mA电流信号或0-10V DC电压信号为控制信号，可使阀门运动到所需位置，实现其自动化控制，最大输出扭矩达4000N·M。（该产品已获得CE防爆认证证书，产品质量具有保障）

"OHQ" series electric actuator is used for controlling 0° ~ 270° rotation of the valves and other similar products, such as butterfly valve, ball valve, damper, flapper valve, cock valve etc. It widely applies to petroleum, chemical, water treatment, shipping, paper making, power plant, heating, light industry and other industries. Driven by 380V/220V/110V AC power or 24V/110V DC power, inputs 4-20mA current signal or 0-10V DC voltage signal as control signal, moves the valve to the right position, and achieves to automatic control. maximum output torque is 5000N.M (OHQ series products have got CE and explosion-proof certificate)

1. 壳体--壳体为硬质铝合金，经阳极氧化处理和聚酯粉末涂层，耐腐蚀性强，防护等级IP67，NEMA4和6，并有IP68和防爆型供选择。

1.Shell--The shell is made of horniness aluminum alloy, with anodic oxidation treatment and polyester coating. It is strong corrosion-resistant enclosure IP67, NAME 4 and 6, IP68 and explosion-proof is optional.

2. 电机--全封闭式鼠笼式电机，体积小，扭矩大，惯性力小，绝缘等级为F级，内置过热保护开关，可防止过热损坏电机。

Electric Machinery--Fully enclosed Squirrel-cage electric Machinery, small volume, large torque, and small inertia force, F-class insulation rating, place hot protection switch internal to avoid damaging the electric machinery.

3. 手动结构--手轮的设计保证安全可靠、省力、体积小。不通电时，扳动离合器手柄可进行手动操作。通电时，离合器自动复位。（注：在电机不通电的情况下，电动执行器将保持永久手动状态）

Manual Structure--The design of handle ensure safe, reliable, labor-saving, small. If without power, it can be operated by handle. With power, the clutch will reset automatically.

4. 指示器--指示器安装在中心轴上，可以观察阀门位置。透镜采用凸出镜设计，不积水，观察更方便。

Indicator--Installs indicator in the center axis and adopts convex mirror design, no cumulate water, more convenient to observe.

5. 干燥器--用来控制温度，防止由于温度和天气变化导致执行器内部水分凝结，保持内部电气元件的干燥。

5.Space Heater--It is used for controlling temperature, avoiding internal moisture of electric actuator condensed because of the changing of temperature and weather. keep inner electric device dry.

6. 扭矩开关--可提供过载保护（OHQ-005/008/010除外），在阀门卡涩，有异物时，自动断开电机电源，更有效的保护阀门和电动执行器不受损坏。（出厂前已设定好，请用户不要随意更改设置）

6.Torque Switch--(Except OHQ-005/008/010) Providing overload protection, avoid to damage the valve and electric actuator when jammed, it can cut the power automatically. (Pls don't change mounting arbitrary)

7. 限位开关--机械、电子双重限位。机械限位螺钉可调，安全可靠，电子限位开关由凸轮机构来控制，简单的调整机构能精确并方便地设定位置，无需电池支持。（微动开关接点均为银质触点）

7.Limit switch--Mechanical, electronic double limit. Mechanical limit screw is adjustable, safe and reliable; electronic limit switch is controlled by the cam. Set position accurately and conveniently by simple adjustment, no need battery. (microswitch contactors are silver contactors)

8. 自锁--紧密的双蜗轮蜗杆机构可高效传输大扭矩，效率高，噪音低（最大50分贝），寿命长，有自锁功能，防止反转，传动部分稳定可靠，出厂已加满高效润滑脂，使用无需再加油。

8.Self-locking--Accurate worm and worm gear transfer large torque efficiently. high efficiency, low noise (max. 50 dB), long life, with self-locking function, prevent inversion, as stable and reliable transmission parts. no need to refuel.

9. 防脱螺栓--拆除外壳时，螺栓附在壳体上，不会脱落。外部螺栓均采用不锈钢材质。

9.Anti-off bolt--The bolt will attach to the shell and not be off and when remove the shell. The outside of the bolt is stainless steel.

10. 安装--底部安装尺寸符合ISO5211国际标准，驱动套可拆下根据需要加工，适应性强。可以垂直安装，也可水平安装。

Installation--The installation size of the bottom meets international standard ISO 5211, the drive sleeve can be removed to process as required. It can be installed vertically, and also can be installed levelly.

11. 线路--控制线路符合单相或三相电源标准，线路布置紧凑合理，接线端子可有效满足各种附加功能的要求。阀开关到位均有无源接点输出（可根据客户要求另行加工。）

11. Circuit--Controlling circuit meet the single-phase or three-phase power supply standard, circuit layout is reasonable and compact, terminals meet various of additional functional requirements effectively (It can be processed separately if customers require).

12. 智能模块--采用集成度高，功耗很低的单片机与模拟电路混合的控制板，更采用全金属外挂式安装，使执行器电机热源与控制板有效隔离，很大程度地提高了软件及硬件的抗干扰性能及耐温性。

12. Intelligent modult--It adopts control plate mixed by MCU and analog circuit, high integration, low consumption, and metallic out-mount, to separate electric actuator heat producer and control plate effectively, and improve the anti-interference and heat resistance of software and hardware widely.

13. 阀位数字显示--执行器在打开或关闭的过程中，阀位的变化在液晶屏上以大数字方式实时显示。

13. The display of valve position--During the opening or closing of actuator, the change of valve position on LCD is displayed with large numbers.

14. 相序自动化调整--智能型执行器自动检测接入的三相电源相序，无需用户考虑三相电源的相序问题。

14. Adjust the phase sequence automatically--intelligent actuator connect to 3 phases power supply phase sequence automatically, no need to consider about the phase sequence of 3 phases power supply for users.

性能参数 Performance Parameter

1.OHQ系列电动执行器技术参数

OHQ series electric actuator performance parameter

型号 Model	最大输出 扭矩 Max output torque	动作时间 60/50HZ Operating time 60/50Hz	最大轴径 Maxbore size	电机F级 F-class Motor	额定电流(A)50HZ Rated Current(A)50HZ				电机(W) Electrical machinery	重量 Weight
					单相 single phase		三相 three phases			
					110V	220V	380V	440V		
OHQ-005	50	18/22	Φ20	20	1.10/0.95	0.55/0.54	0.3/0.3	N/A	10	7.5
OHQ-008	80	18/22	Φ20	20	1.10/0.95	0.55/0.54	0.3/0.3	N/A	10	7.5
OHQ-010	100	18/22	Φ20	20	1.10/0.95	0.55/0.54	0.30.3	N/A	10	7.5
OHQ-015	150	21/25	Φ22	40	1.65/1.67	0.88/0.84	0.31/0.31	0.30/0.31	11	17.3
OHQ-020	200	21/25	Φ22	40	1.67/1.67	0.89/0.85	0.31/0.31	0.30/0.31	11	17.3
OHQ-030	300	26/31	Φ35	90	1.85/1.86	0.92/0.92	0.35/0.35	0.34/0.34	13.5	22
OHQ-050	500	26/31	Φ35	90	3.60/3.62	1.55/1.58	0.59/0.59	0.58/0.58	13.5	23
OHQ-060	600	26/31	Φ35	120	3.65/3.62	1.60/2.20	0.60/0.59	0.59/0.58	13.5	23
OHQ-080	800	31/37	Φ45	180	4.10/4.10	2.15/2.20	0.85/0.85	0.79/0.79	16.5	29
OHQ-120	1200	31/37	Φ45	180	4.20/4.10	2.35/2.30	0.87/0.87	0.81/0.81	16.5	29
OHQ-200	2000	93/112	Φ65	180	4.10/4.10	2.15/2.20	0.85/0.85	0.79/0.79	49.5	75
OHQ-300	3000	93/112	Φ65	180	4.20/4.10	2.35/2.30	0.85/0.85	0.81/0.81	49.5	75

2. 标准规格
 Standard technical parameter

外壳 Shell	防水级别IP67, NEMA4 and 6 Enclosure:IP68, NEMA4 and 6	
电机电源 Power supply	标准: 220V AC单相 可选: 110V AC单相, 380, 440V AC3相, 50/60Hz, ± 10% 24V DC/110V DC/220V DC Standard:220V/AC single-phase Optional:110V AC single-phase,380V/440V 3phase.50/60HZ, ± 10% 24V DC/110V DC/220V DC	
电机 Motor	鼠笼式异步电机 Squirrel-cage Asynchronous Motor	
限位开关 Limit Switch	开/关, 各1个, SPDT.250V AC 10A Close/Open,each 1. SPDT.50V AC 10A	
辅助限位开关 Auxiliary Limit Switch	开/关, 各1个, SPDT.250V AC 10A Close/Open,each1, SPDT.50V AC 10A	
扭矩开关 Torque switch	开/关, 各1个, SPDT.250V AC 10A Close/Open,each1, SPDT,50V AC 10A	OHQ-005/008/010除外 Except OHQ-005/008/010
行程 Stroke	90° ± 10°	0° ~270° 可选
失速保护/操作温度 Stall protection/ Operating temperature	内置过热保护, 开115°C ± 5°C/关97°C ± 5°C Built-in thermal protection, Open 115°C ± 5°C/Close 97°C ± 5°C	
指示器 Indicator	连续的位置指示刻度 Continuous position indicator	
手动操作 Manuloperate	机械离合机构, 配手轮操作 Declutching mechanisrn, cooperate with handwheel	
自锁装置 Self-locking device	蜗轮, 蜗杆机构提供自锁 Self-locking by worm and worm gear	
机械限位 Mechanical Limit	2个外部调整螺栓 2 × externladjustable screws	
干燥器 Space heater	7-10W(110/220V AC)	
接线孔 Conduit entry	2个PF3 /4"	
环境温度 Ambient temperature	-20°C~+70°C	
润滑 Lubrication	铝基润滑脂(EP型) Grease moly(Etype)	
材料 Material	钢, 铝合金, 铝青铜, 聚碳酸酯 Steel.Aluminuium alloy, Aluminium bronze,Polycarbonate	非凝结 Non-Condensing
环境湿度 Ambient humidity	最大90% RH Max 90% RH	
抗震性能 Anti-vibration	XYZ 10g,0.2-34 Hz,30分 XYZ 10g,0.2 ~ 34Hz,30 minutes	
外涂层 External coating	干粉, 环氧聚酯, 具有超强的防腐能力 Dry powder, Epoxy polyester. High anti-conrrosion	

OHQ系列防爆电动执行机构

OHQ Series Explosion-proof Electric Actuator

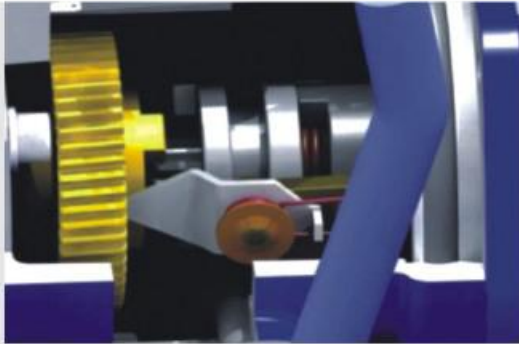
3. 可选规格 Option Specification

编号 No.	可选配置 Option scheme	备注 Remark
1	防爆执行器(Exd II BT4, Exd II CT6) Explosion-proof Actuator(Exd II B T4, Exd II CT6)	OHQ系列 OHQ series
2	防水执行器(IP68, 10M, 250HR) Water-proof Actuator(IP68, 10M 250HR)	OHQ系列 OHQ series
3	电位计(1K-10K) Potentiometer Unit(1K-10K)	OHQ系列 OHQ series
4	比例控制单元(输入, 输出信号4-20mA DC/1-5V/1-10V) Proportion Control Unit (input, output 4-20mA DC/1-5V/1-10V)	OHQ系列 OHQ series
5	现场控制单元(就地控制/开/停/关选择开关, 就地/远程切换) Local Control Unitss (local control/open/stop/close optional switch, local/remote switch)	OHQ系列 OHQ series
6	行程 120°, 180°, 270° Stroke 120°, 180°, 270°	OHQ系列 OHQ series
7	直流电机(24V DC) DirecL current motor(24V DC)	OHQ系列 OHQ series
8	附加扭矩开关(SPDT X2 250V AC 10A) Torque switch (SPDT X2 250V AC 10A)	OHQ-005/008/010除外 Except OHQ-005/008/010
9	电流位置传感器(输出4-20MA DC) Electric current position transfer (Output 4-20MA DC)	OHQ系列 OHQ series
10	断电后, 电动阀自动开或关控制柜 After cutting power, the electric valve can apen or close to control automatically	OHQ系列 OHQ series
11	耐高温执行器(-10°C~+100°C) High temperature resistance actuator (-10°C~+100°C)	OHQ系列 OHQ series
12	耐低温执行器(-40°C~+70°C) Low temperature resistance actuator(-40°C~+70°C)	OHQ系列 OHQ series
13	低速执行器 Low speed actuator	OHQ系列 OHQ series

结构 Structure

电动执行器主要由以下几部分组成 Electric actuators is make up of the following parts:

- 壳体部分: 包括外壳及底座部分;
Shell: including shell and pedestal
- 驱动部分: 以高性能全封闭鼠笼式电机为动力源;
Drive parts: Full sealing high-performance squirrel-cage motor for the power source
- 传动机构: 双蜗轮与离合器部分;
Driving mechanism: Double worm and clutch
- 比例控制部分: 与机械部分分离, 提高可靠性;
Ratio control parts: Separate with the mechanical part, easy to debug
- 力矩开关与限位开关部分;
Torque switch and limit switch part
- 开度检测与反馈部分。
Opening detectedcd and feedback parts



<<

Manual operation(Clutching system)

- 手动，自动转换手柄和手轮用于手动操作
- 通电后，手柄会自动复位转换成自动方式
- Manual/Auto convert to handle and handwheel used for emergency manual operation
- Powered handle will automatically reset to auto operation

Cam and limit switch

- 由两个螺丝在上面紧固，设置简单
- 每个凸轮可单独设置
- 一旦设置完成，每个凸轮会永远保持在此位置
- Tighten with two screws and simple setting
- Each cam can be set separately
- Once set, each cam will be on the position forever



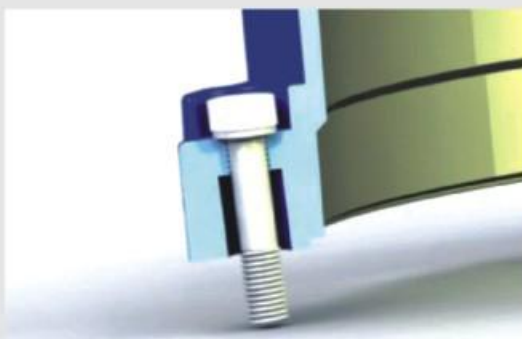
<<

Space heater

- 7~10W. 由陶瓷制成. 采用金属外壳散热快，寿命长同时作为恒温调节器调节温度，防止过热
- 没有漏电的危险
- 7~10 W, ceramic housing with thermostato to prevent overheat comparing with set temperature
- Without risk of electricity leakage.

Terminablock

- 有足够的端子，用户使用方便，最多为22个
- 能保证紧固，牢靠的电线连接
- 端子长度：8-9mm(2.5mm²)
- 端子尺寸：10×22×32mm
- Enough terminal for customer's convenience (Max 22 points)
- Proven reliability and tight wiring connection
- Terminal length: 8-9mm(2.5mm²)
- Terminal dimension: 10x22x32mm



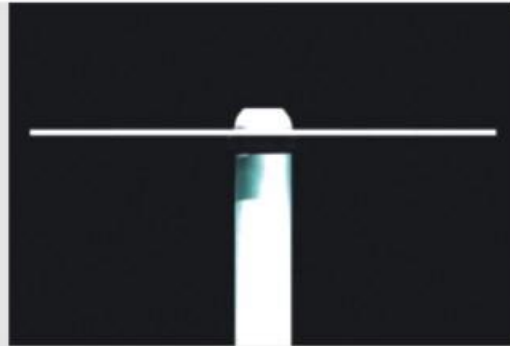
<<

Anti-offbolt

- 上盖螺栓为专门设计，保养及安装时不会脱落
- 所有外部螺栓为不锈钢材质，不会生锈
- Cover bolts are specially designed to prevent falling down during maintenance or installation
- All external bolts are stainless steel for rust prevention

Indicator sustained by spring

- 指示器的方向在出厂前已设置好
- 如果想改变指示方向，只需要抓住指示盘，改变方向即可
- 指示盘下面的弹簧会保持设定位置不会改变
- 不需要放松或上紧螺钉
- Direction of indicator has been set by factory
- If change direction of indicator, just grip the indicator plate to change it
- Spring under the indicator plate sustains the set position unchanged
- No need to loose screw and tight against at all.



<<

Inclined plane

- 其他执行器由于上盖和体的结合面是竖直的，这样由于此处的公差很小，卸下上盖很不容易
- OHQ执行器此处设计为3°的斜面，解决了这个问题，尽管公差依然很小，但是卸下上盖就很容易了
- For other actuators, it is hard to take off cover because of little tolerance when the interface between cover and body is vertical.
- For OHQ actuators, it is easy to take off cover as small tolerance, the design of interface is 3 degree inclined plane.

Torque switch

- 扭矩开关可防止由于过载引起的电机及其他内部电子元件应过热对内部元件的损伤
- 一旦扭矩开关起作用，执行器应立即停止动作
- Torque switch protect motor and internal electric components from overheat caused by overload of valve
- If torque works, the actuator stop at once



<<

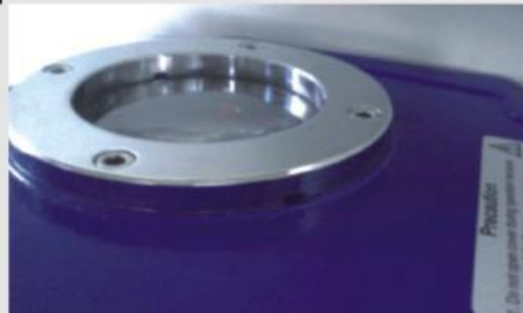
Removable drive sleeve

- 轴套是可换的，且可根据不同的要求加工
- 四个悬耳用于驱动轴及轴套的紧密配合
- 和阀门的安装方便
- Sleeve is removable as different requirement
- 4 under hungs for tightening or loosening between drive shaft and sleeve
- Easy installation with valve



Two slots on window glass

- 视窗盖上有两个小槽，便于雨水排出，且视为凸镜不积水，更宜观察
- 流水视窗盖的雨水可能会影响视窗的密封
- 这样两个小槽就可防止上面的问题发生
- Two slots on the window covers and convex are convenient for draining and observing. And ensure the well sealing of the cover



WOTUO® 沃托



>>> OHQ系列防爆电动执行机构系列
OHQ Series Explosion-proof Electric Actuator



OHQ系列防爆电动执行机构

OHQ Series Explosion-proof Electric Actuator

外观图 Outside View

虚线部分为模拟量控制盒，开关型无此尺寸

The part of broken line is used for analog quantity control box, on/off model don't have this size

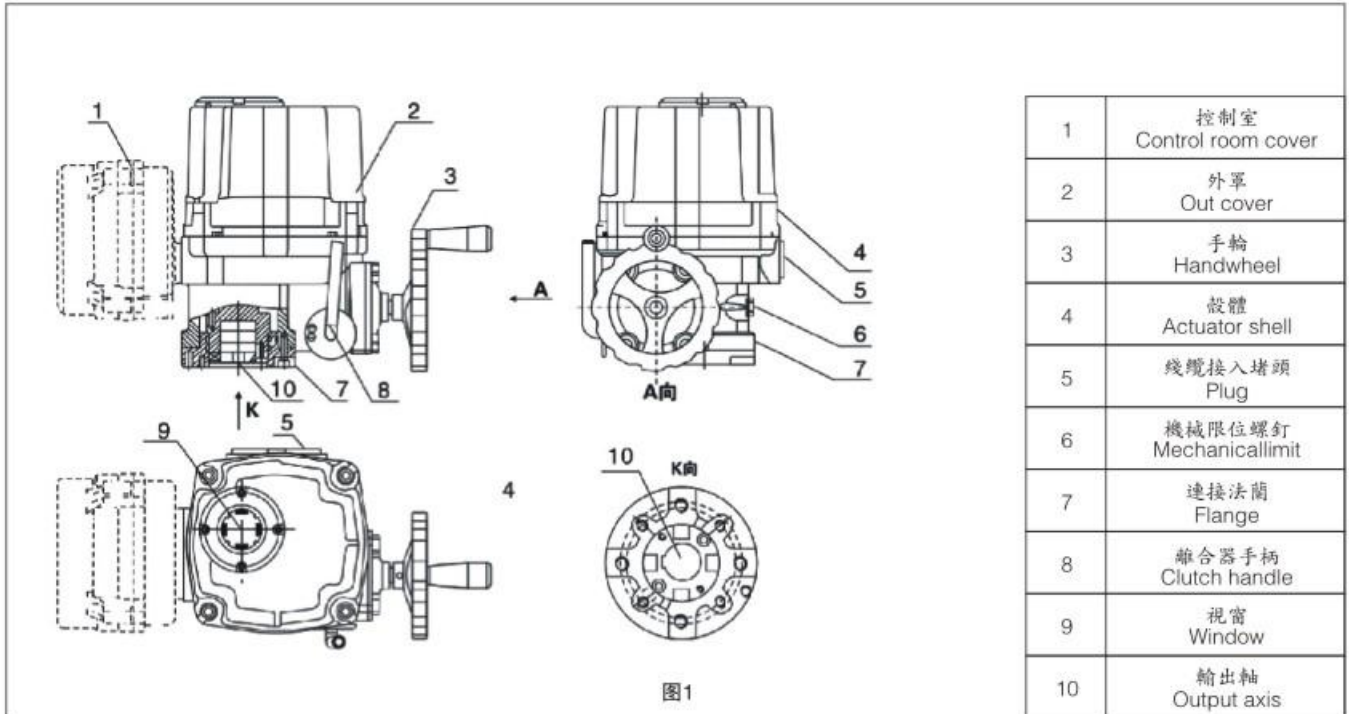


图1

1.OHQ-005-010外观及安装尺寸（虚线部分为模拟量控制盒，开关型无此尺寸）

OHQ-005- 010 Appearance and installation dimension

(The part of broken line is used for analog quantity control box, on/off model don't have this size)

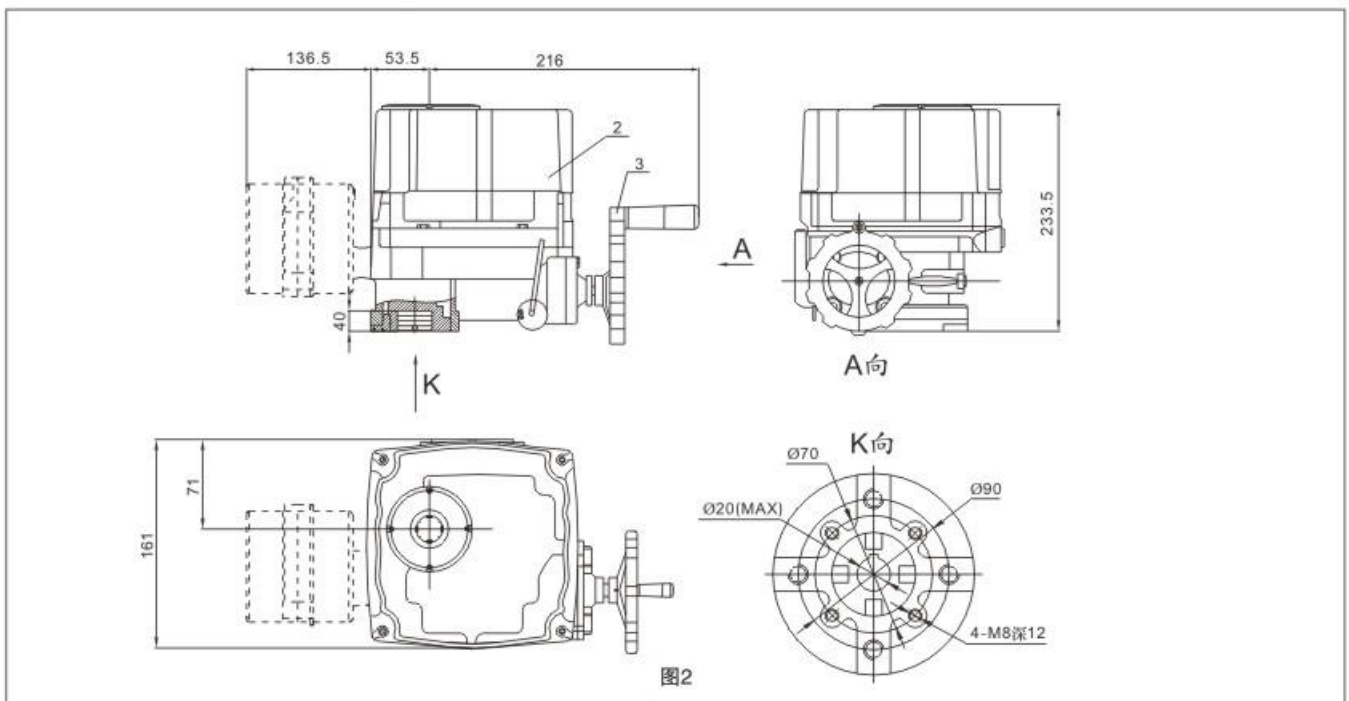
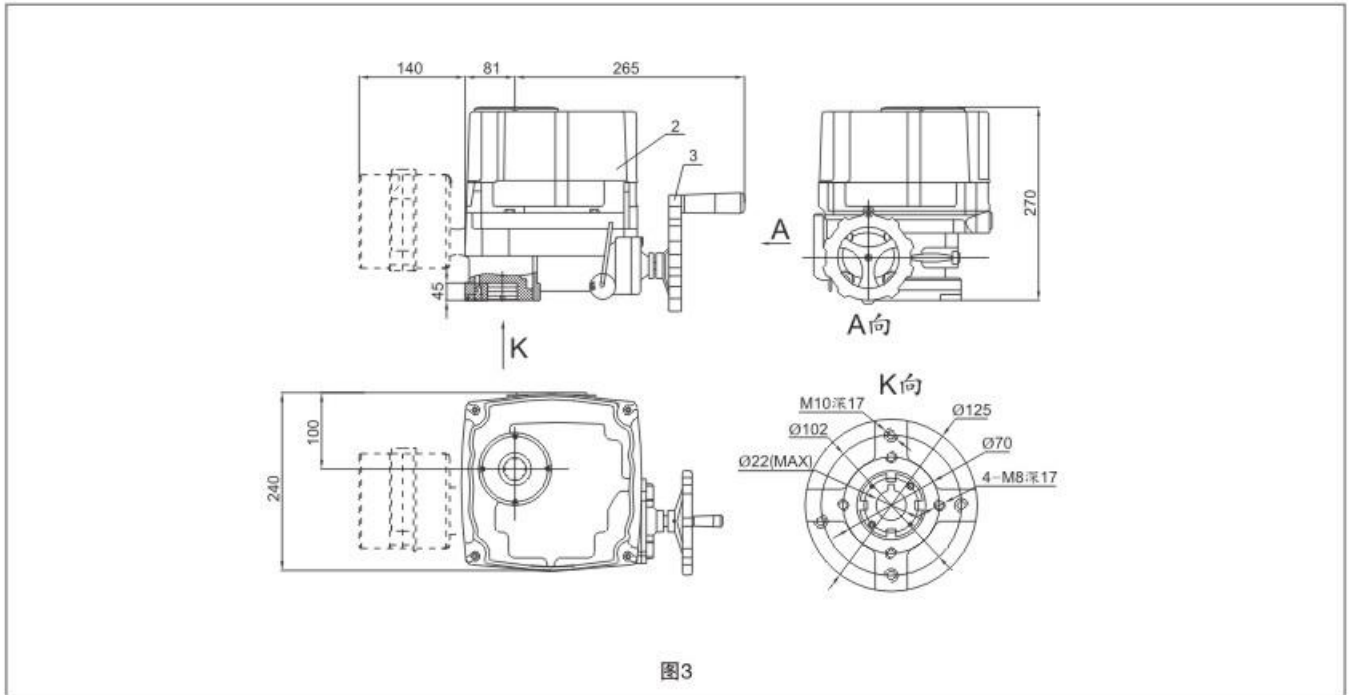


图2

2.OHQ-015-020外观及安装尺寸(虚线部分为模拟量控制盒,开关型无此尺寸)

OHQ-015-020 Appearance and installation dimension

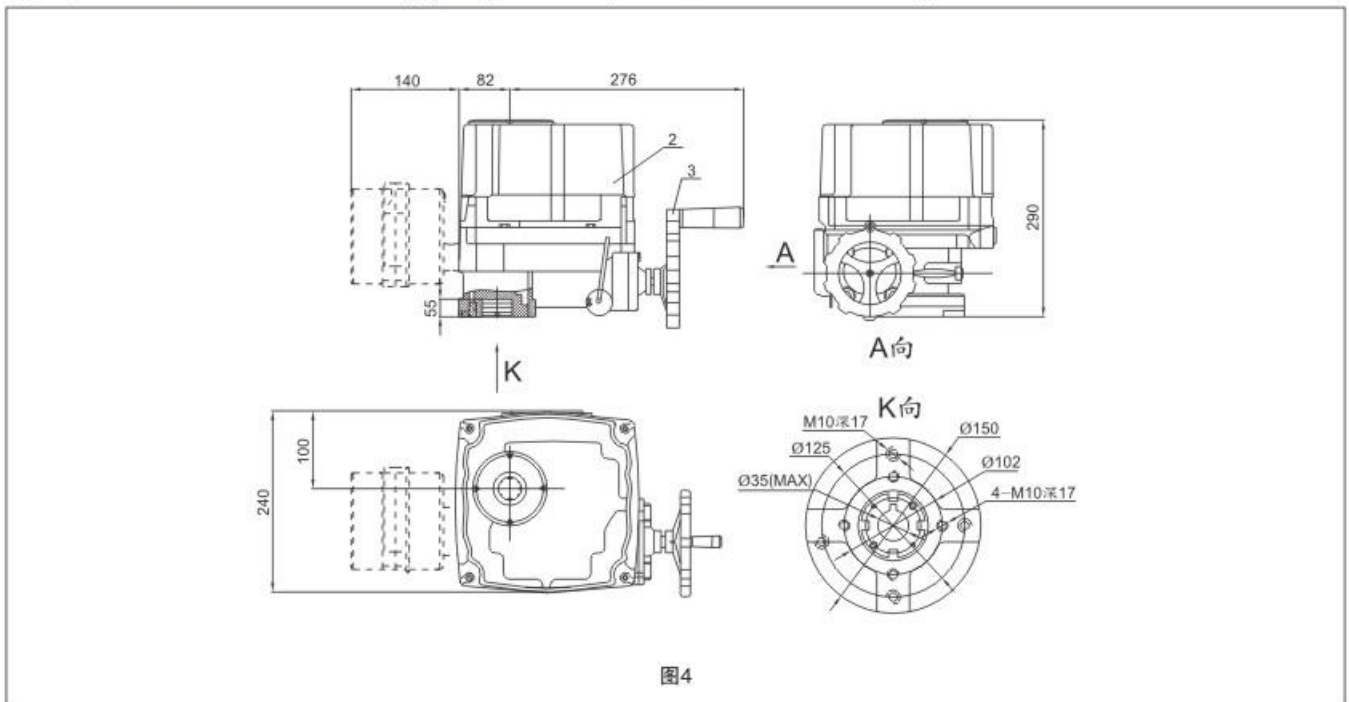
(The part of broken line is used for analog quantity control box, on/off model don't have this size)



3.OHQ-030-060外观及安装尺寸(虚线部分为模拟量控制盒,开关型无此尺寸)

OHQ-030-060 Appearance and installation dimension

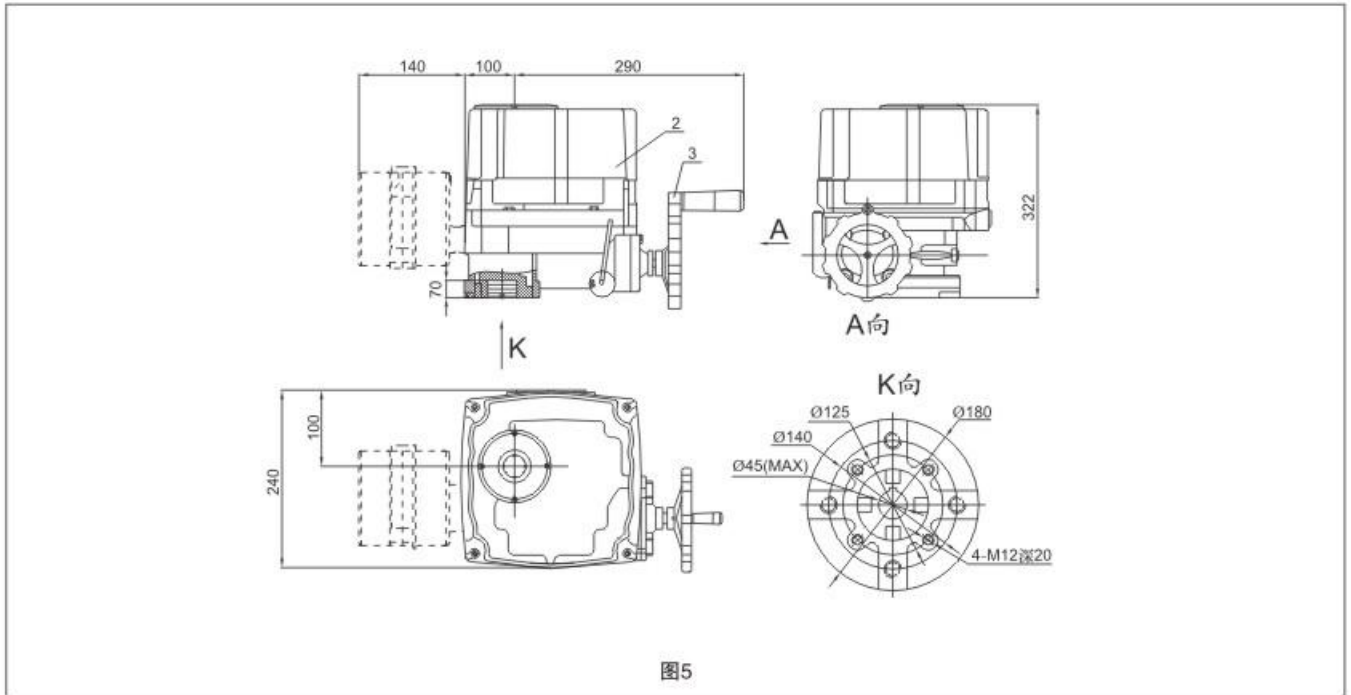
(The part of broken line is used for analog quantity control box, on/off model don't have this size)



OHQ系列防爆电动执行机构

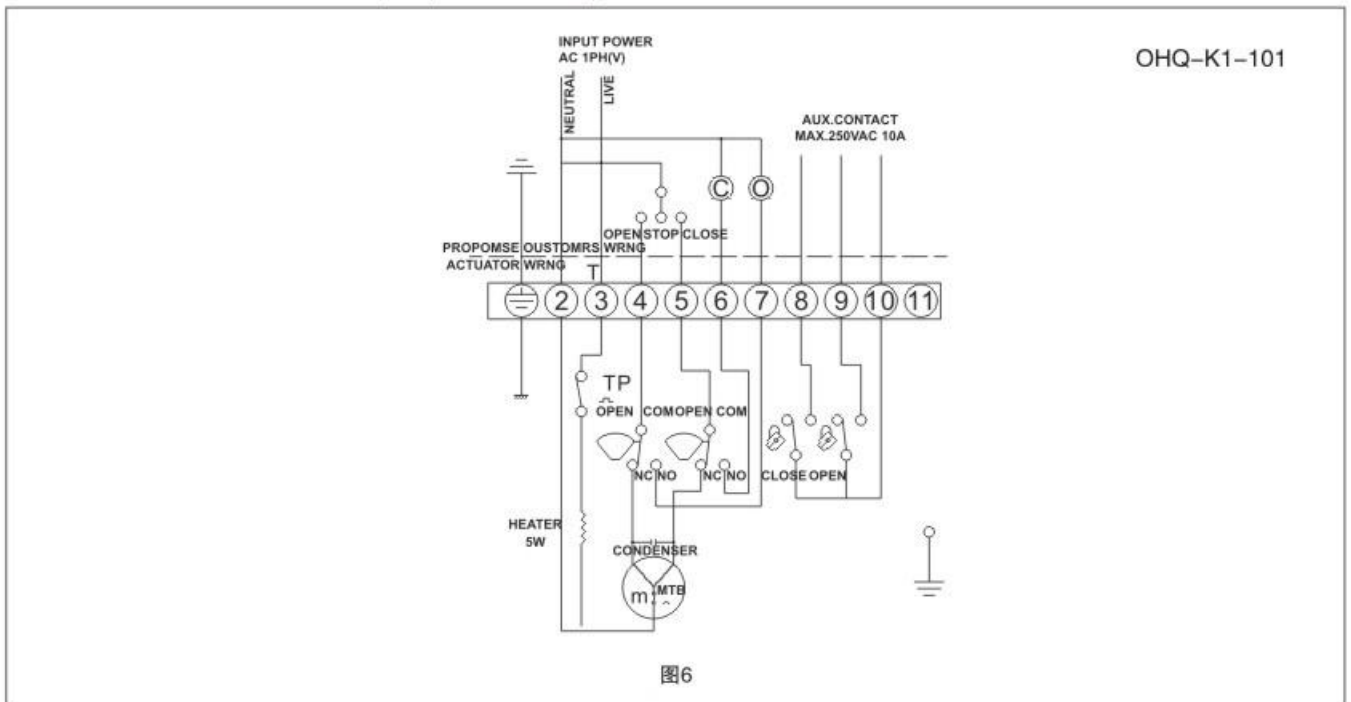
OHQ Series Explosion-proof Electric Actuator

4.OHQ-080~ 500外观及安装尺寸虚线部分为模拟量控制盒. 开关型无此尺寸)
OHQ-080-500 Appearance and installation dimension
(The part of broken line is used for analog quantity control box, on/off model don't have this size)

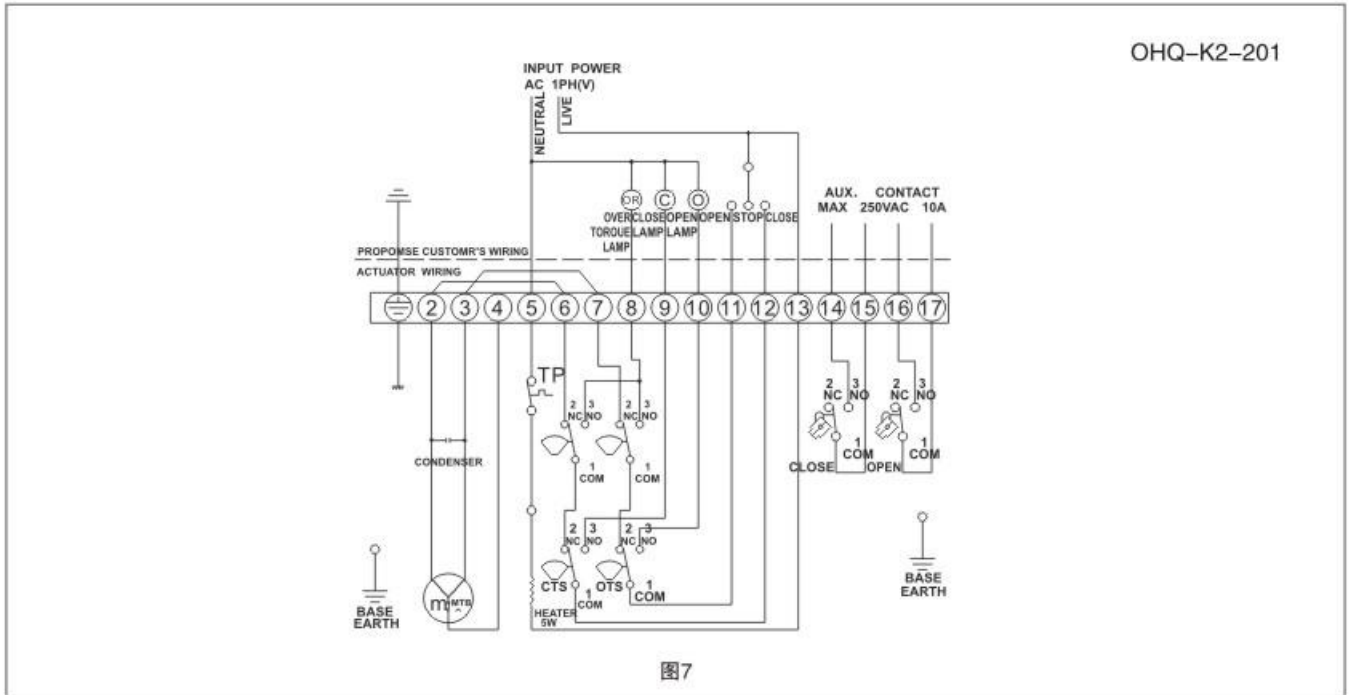


线路图 Circuit Diagram

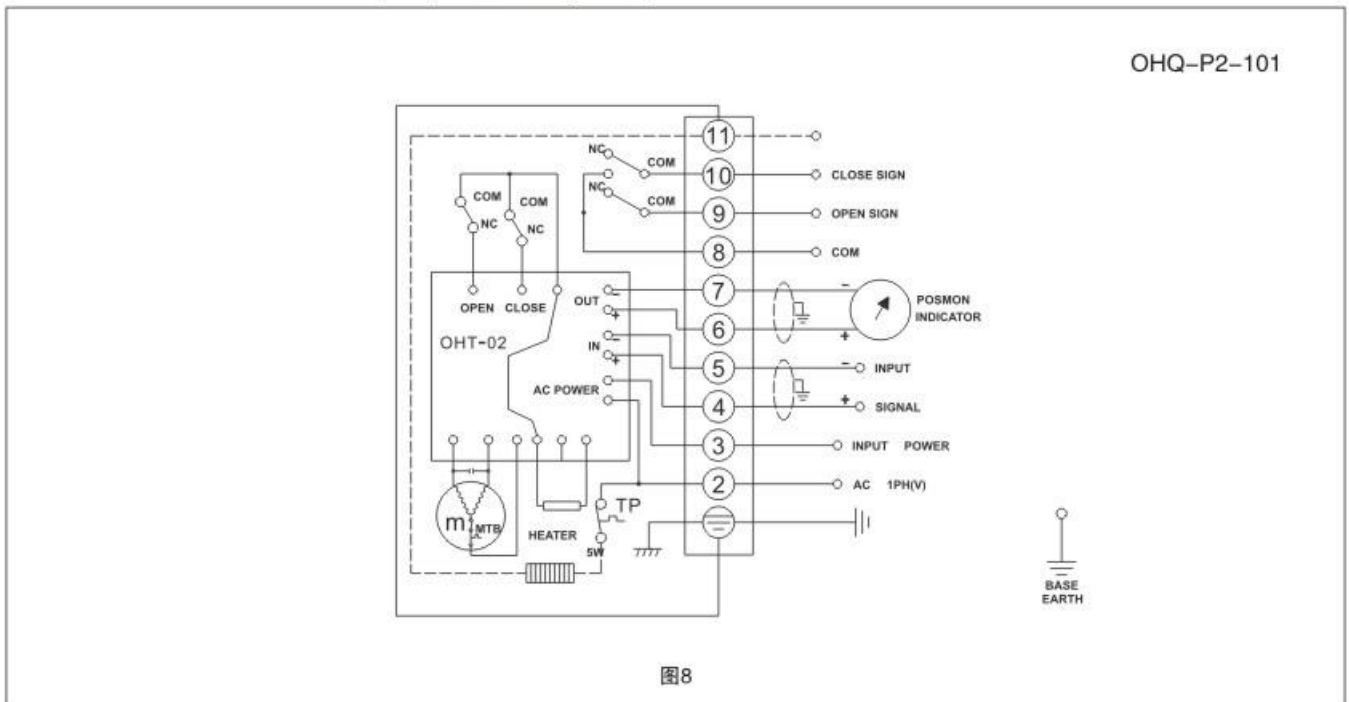
1.OHQ-005-010 110/220VAC/50/60HZ,1Ph (标准开关型)
OHQ-005-010 110/220VAC/50/60HZ,1Ph(010 On/off model) OHQ-K1-101



2.OHQ-015 ~ 500 110/220VAC/50/60HZ,1Ph (标准开关型)
 OHQ-015 ~ 500 110/220VAC/50/60HZ,iPh(010 On/off model) OHQ-K2-201



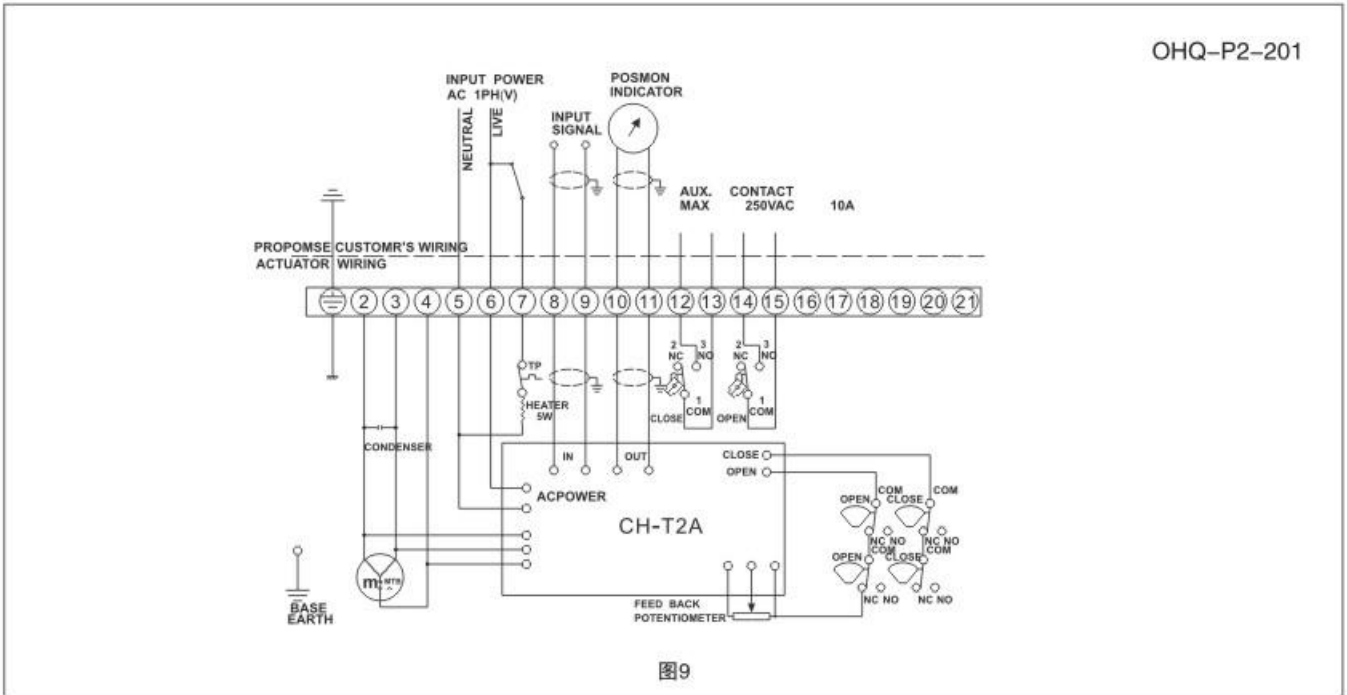
3.OHQ-005-010 模拟量无源触点信号输出线路图OHQ-P2-101
 OHQ-005-010 110/220VAC/50/60HZ,1Ph(010 modulating model) OHQ-P2-101



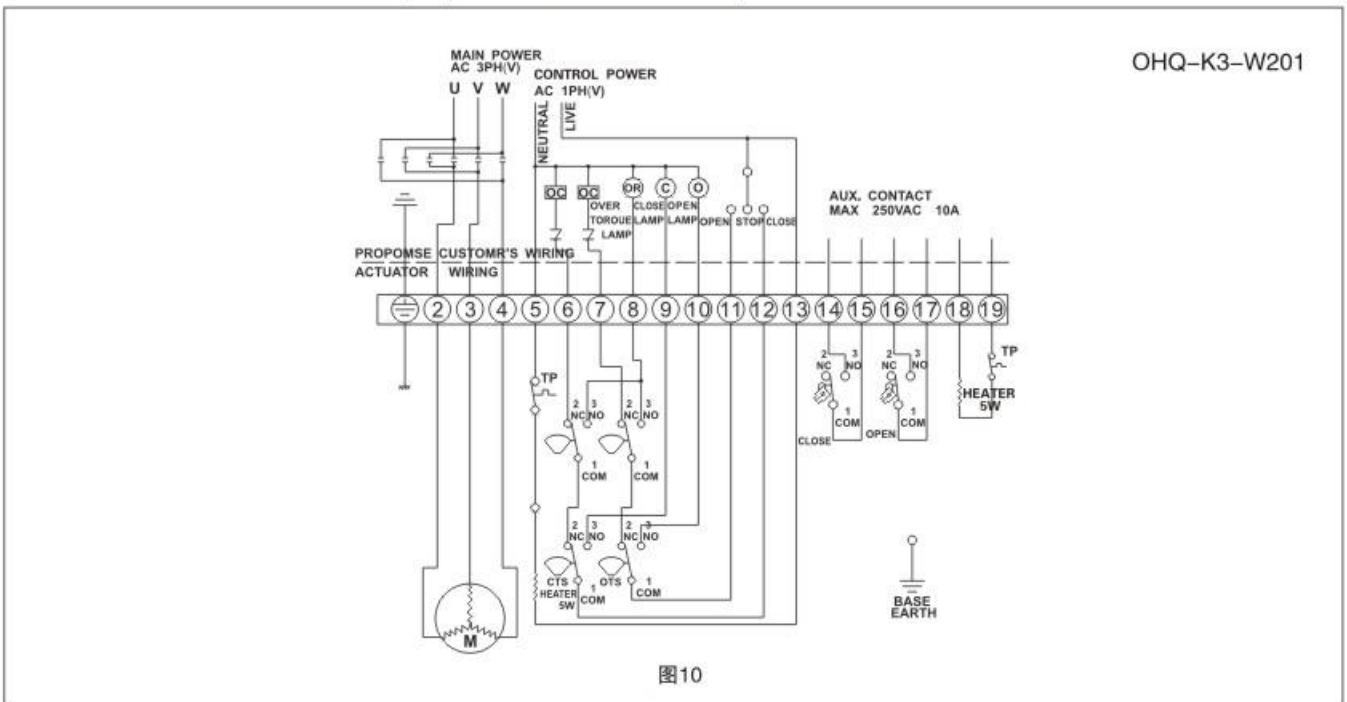
OHQ系列防爆电动执行机构

OHQ Series Explosion-proof Electric Actuator

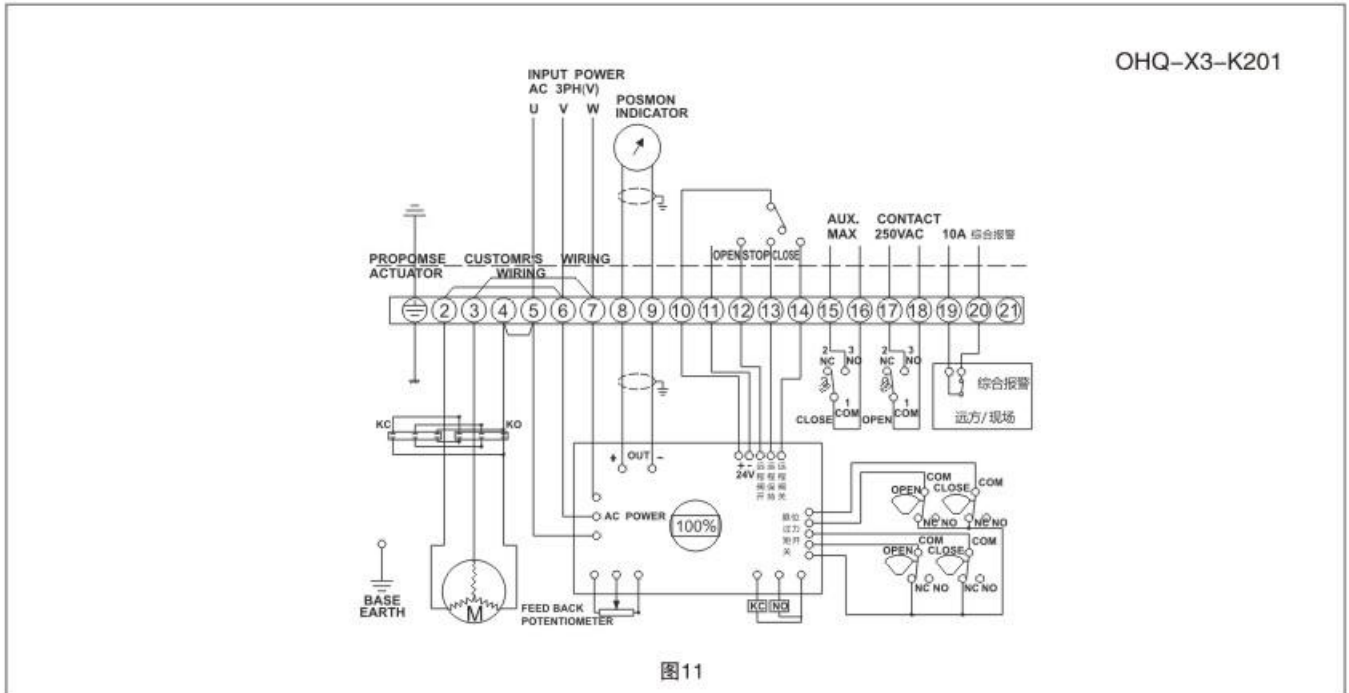
4.OHQ-015~ 500 100/220VAC/50/60HZ,1Ph (调节带过力矩保护型) OHQ-P2-201
 4.OHQ-015~500 110/220VAC/50/60HZ,1Ph(Standard modulating modle)



5.OHQ-015~500 380V/440V AC/50/60HZ,3相(外置标准型) OHQ-K3-W201
 5.OHQ-015~500 380V/440V AC/50/60HZ,3Ph(External standard on/off modle) OHQ-K3-W201



6.OHQ-015-500 110V/220V AC/50/60HZ,(现场控制开关型)
 OHQ-015-500 110V/220V AC/50/60HZ,1Ph(intelligent on/off model) OHQ-X3-K201





Q971F 电动调节对夹球阀
Electric Thin Type Ball Valve



Q911F 电动二片式球阀
Electric 2PC Ball Valve



Q941F 电动法兰球阀
Electric Flange Ball Valve



Q981F 电动真空球阀
Electric vacuum valve



电动防爆球阀
Electric Explosion-proof Ball Valve



Q944F 电动三通防爆球阀
Electric Explosion-proof Three Way Ball Valve



电动球阀系列
Electric Ball Valve Series



产品概述

电动球阀是一种转角90°的旋转类球阀，密封性能优良，流通能力大，流阻系数小，结构简单、维修方便、使用寿命长，阀体通道和连接管径相等并成一直径，介质几个可以毫无损失的流过。配用ONT、OHQ等高性能执行机构，产品通常用于密封要求严格的场合，除控制气体、液体、蒸汽介质外，还适宜控制污水和含有纤维性杂质的介质，广泛用于石油、化工、冶金、轻工、造纸、电站、制冷等工作领域。

产品特点

1. 流体阻力小、球阀是所有阀类中流体阻力最小的一种，即使是缩径球阀，其流体阻力也相当小、
2. 止推轴承减小阀杆摩擦力矩，可使用阀杆长期操作平衡灵活。
3. 阀座密封性能好，采用聚四氟乙烯等材料制成的密封圈，结构易于密封，而且球阀的阀封能力随着介质的压力的增大而增大。
4. 阀杆密封可靠，由于阀杆只作旋转运动而不做升降运动，阀杆的填料密封不易破坏，且密封能力随着介质的压力增设而增大。
5. 由于聚四氟乙烯材料具有良好的自润滑性，与球体的摩擦损失小，帮球阀的使用寿命长。
6. 下装式阀杆和阀杆头部凸阶防止阀杆喷出，如火灾造成阀杆密封破坏，凸阶与阀体间还可以形成金属接触，确保阀杆密封。

阀门技术参数

公称通径DN	DN15-DN400(mm)
公称压力	1.0、1.6、2.5、4.0、6.4MPa
适用介质	水、石油、硝醚类、醋酸类、粘性流体、浆料、强氧化性介质等
介质温度	-40℃~+180℃ -40℃~+350C
泄漏量	0符合ANSIB16.104 5级标准
球体转角	90°
阀体材质	A105、F304、F316、WCB、FZG1Cr18Ni9Ti、ZG1Cr18Ni12M02Ti、CF8、CF8M、CF3M
阀座材料	聚四氟乙烯(常温)、特制PPL(高温)、金属密封(高温)

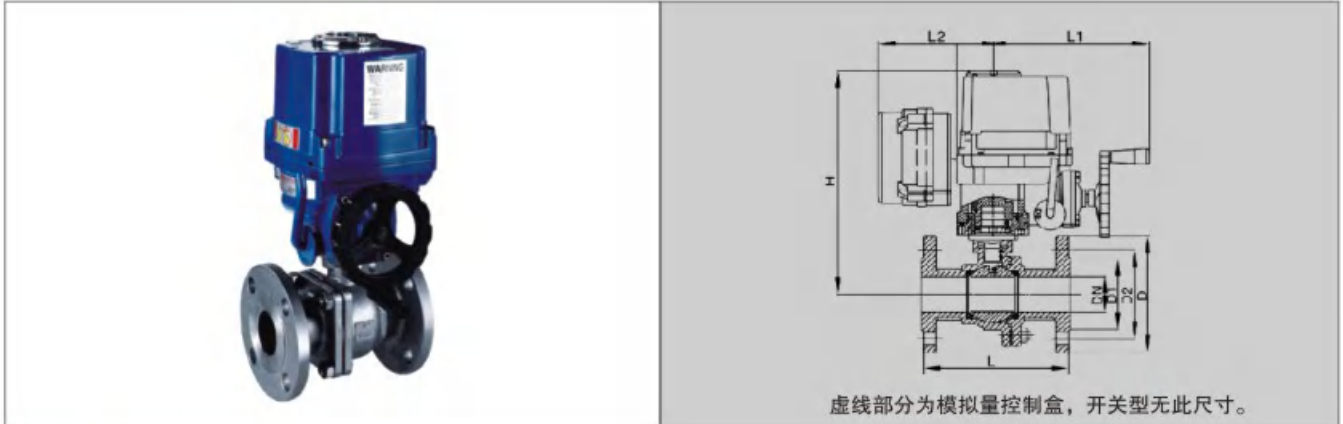
主要连接尺寸

公称直径 DN(mm)	尺寸(mm)								执行机构选配 (常温常压)	
	L	D	D2	D1	B	H	L1	Z-d		
15	130	95	65	45	14	176	161	4-14	ONT-005	OHQ-005
20	140	105	75	55	14	180	161	4-14	ONT-005	OHQ-005
25	150	115	85	65	14	182	161	4-14	ONT-005	OHQ-005
32	165	135	100	78	16	188	161	4-18	ONT-008	OHQ-008
40	180	145	110	85	16	198	161	4-18	ONT-008	OHQ-008
50	200	160	125	100	16	203	161	4-18	ONT-008	OHQ-008
65	200	180	145	120	18	222	188	4-18	ONT-010	OHQ-010
80	250	195	160	135	20	237	188	8-18	ONT-015	OHQ-015
100	280	215	180	155	20	281	268	8-18	ONT-020	OHQ-020
125	320	245	210	185	22	300	268	8-18	ONT-040	OHQ-040
150	360	280	240	210	24	300	268	8-23	ONT-080	OHQ-080
200	400	335	295	265	26	368	268	12-23	ONT-160	OHQ-160
250	533	405	335	320	30	418	268	12-25	ONT-200	OHQ-200

注：以上选配参数仅供参考，具体以实际情况为准！

电动执行机构

参照ONT系列角行程电动执行器技术参数



产品概述

电动防爆球阀是一种球体绕垂直于通道轴旋转90°的阀门，其由回转型防爆角行程电动执行器和O型阀结构组成，属旋转类型高性能调节或开关阀类，接受工业自动化控制(DCS、PLC系统)仪表来源的电流信号或电压信号的输入输出，可实现对工艺管路中流体介质的比例调节或二位开关控制，从而达到对流体介质的流量、压力、温度、液位等参数的自动化控制。

产品特点

1. 防爆型电动球阀流体阻力小，是所有阀类中流体阻力最小的一种，以AC220V、AC380V或DC24V电源电压动作力，接受(4~20mA, 0~10mA或1~5VDC)电流信号或电压信号，即可控制运转，以角行程输出的扭矩转动球体0~90°，就能完成启闭动作或调节动作。
2. 全电子式电动执行机构，采用机电一体化结构，具有机内伺服操作和开度信号位置反馈、位置指示，手动操作等功能，功能强、性能可靠、连线简单，通过输入电流信号或电压信号，改变球芯的旋转角度(0~90°任意角度)，实现比例调节动作。
3. 球芯通道平整光滑，不易沉积介质，可以进行管线式通球。结构简单、重量轻、密封性能好。特别适用于要求零泄漏率的场合。

阀门技术参数

公称口径DN	DN15-DN400(mm)
公称压力	1.0、1.6、2.5、4.0、6.4MPa
适用介质	水、石油、硝酸类、醋酸类、粘性流体、浆料、强氧化性介质等
介质温度	-40°C~+180°C -40°C~+350°C
泄漏量	0符合ANSI B16.104 5级标准
球体转角	90°
阀体材质	A105、F304、F316、WCB、FZG1Cr18Ni9Ti、ZG1Cr18Ni12M02Ti、CF8、CF8M、CF3M
阀座材料	聚四氟乙烯(常温)、特制PPL(高温)、金属密封(高温)

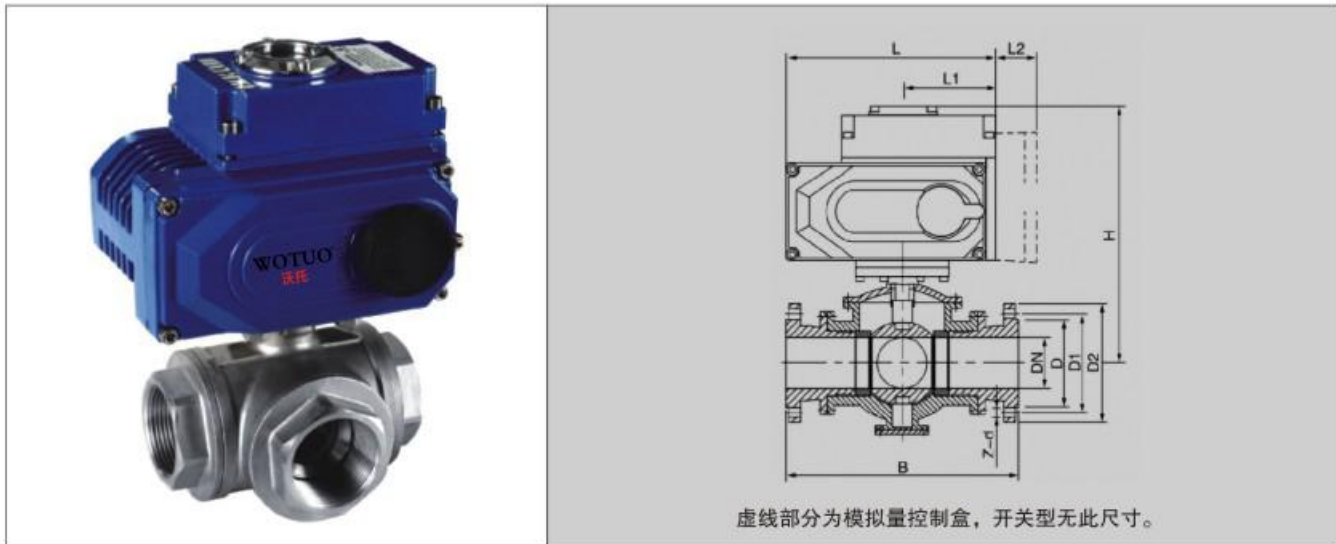
主要连接尺寸

公称直径 DN(mm)	尺寸(mm)								执行机构选配 (常温常压)
	L	D	D2	D1	L2	H	L1	Z-d	
15	130	95	65	45	136.5	284	216	4-14	OHQ-005
20	140	105	75	55	136.5	284	216	4-14	OHQ-005
25	150	115	85	65	136.5	284	216	4-14	OHQ-005
32	165	135	100	78	136.5	284	216	4-18	OHQ-008
40	180	145	110	85	136.5	284	216	4-18	OHQ-008
50	200	160	125	100	136.5	284	216	4-18	OHQ-008
65	220	180	145	120	136.5	328	216	4-18	OHQ-010
80	250	195	160	135	140	380	270	8-18	OHQ-015
100	280	215	180	155	140	387	270	8-18	OHQ-020
125	320	245	210	185	140	426	276	8-18	OHQ-040
150	360	280	240	210	140	458	290	8-23	OHQ-080
200	400	335	295	265	140	698	290	12-23	OHQ-150
250	433	405	335	320	140	780	290	12-25	OHQ-200

注：以上选配参数仅供参考，具体以实际情况为准！

电动执行机构

参照OHQ系列角行程电动执行器技术参数



产品概述

电动三通球阀采用ONT型、回转式角行程电动执行机构，以AC220V、AC380V或DC24V电源电压作动力，接受工业自动化仪表控制系统输入的（4-20mA）电流信号或电压信号，即可控制运转，实现对工艺介质的比例调节或二位切换控制。三通球阀是综合国内外先进技术而开发的新型三通切换型调节阀。标准球芯有L型三通双口孔种，改变球芯与管道的相对角度，可以对三支管道流体实现不同的组合控制；T型孔道可起配比作用，适用于液体、气体、蒸汽等介质的配比调节与控制。

产品特点

1. 三通球阀有两座和四座密封结构，阀芯孔道有L型和T型两种结构形式，采用控制阀芯旋转角度，改变阀芯孔道与管道口的连接状态，可实现对三条支管不同的组合控制。三通球阀流通能力大，可控制气体、液体、蒸汽，更适用于控制高粘度、纤维颗粒状的流体。也适用于密封要求较严格的场合。
2. 两阀座密封三通球阀具有结构紧凑、外形美观、密封性能好，它实现对管道中介质流向的切换。也能使相互垂直的两个通道连通或关闭。
3. 四阀座密封三通球阀具有造型美观、结构紧凑合理，它不仅可实现介质流向的切换，也可使三个通道相互连通，同时可关闭任意一个通道，使另外两个通道连通，灵活控制管路是介质的合流或分流（如流向图B）。
4. T型阀芯孔道可使三条正交的管道互相连通或切换，起分流或合流作用；L型孔道连接相互正交的两管道。使另一条孔道切断，起改变介质流向作用。

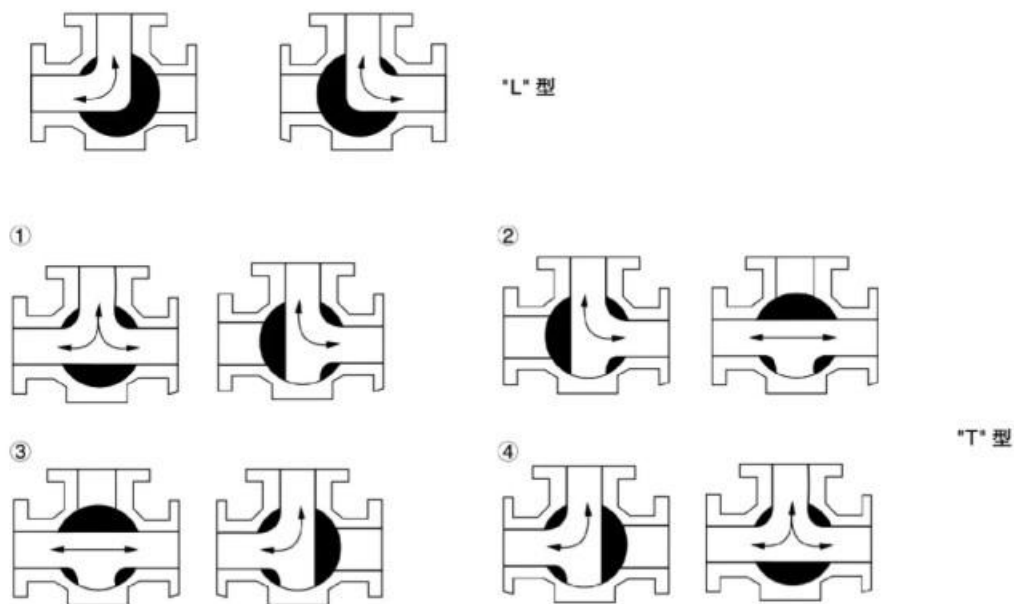
阀门技术参数

形式	T型、L型三通球阀	
公称口径DN(mm)	DN15~DN300	
公称压力	1.6、2.5、4.0、6.4MPa	
流体范围	空气、水、气体、石油和石化产品、腐蚀性介质	
工作温度	硬密封：-40℃~+300℃	
	软密封：-40℃~+180℃	
泄漏量	0符合ANSI B16.104 5级标准	
主要材质	阀体	(1)WCB (2)304 (3)316 (4)316L
	阀芯	(1)304 (2)316 (3)316L
阀座形式	不锈钢可动硬密封、PTFE软密封	
表面处理	抛光	

工作形式

L型流道的三通4面阀座球阀，采用2面阀座，受力平衡，保证闭止通道的可靠密封。主要用于流路的换向。

T型流道的三通4面阀座，由于采用4面阀座，受力平衡，保证闭止通道的可靠密封。主要用于分流、混流、换向以及三通道的完全开放。



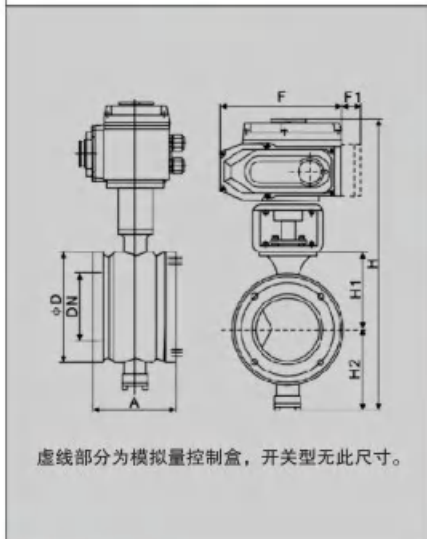
主要连接尺寸

公称压力 PN	公称直径 DN(mm)	尺寸(mm)								执行机构选配 (常温常压)	
		L	L2	B	D1	D2	H	Z-do	T		
1.6MPa	15	161	40	150	65	95	142.5	4-14	14	ONT-005	OHQ-005
	20	161	40	160	75	105	148.0	4-14	14	ONT-005	OHQ-005
	25	161	40	180	85	115	170.5	4-14	14	ONT-008	OHQ-008
	32	161	40	200	100	135	177.5	4-18	16	ONT-008	OHQ-008
	40	188	40	220	110	145	203.5	4-18	16	ONT-010	OHQ-010
	50	188	40	240	125	160	209.0	4-18	16	ONT-015	OHQ-015
	65	188	40	260	145	180	235.5	4-18	18	ONT-015	OHQ-015
	80	268	40	280	160	195	271.5	8-18	20	ONT-020	OHQ-020
100	268	40	320	180	215	366.0	8-18	20	ONT-030	OHQ-030	

注：以上选配参数仅供参考，具体以实际情况为准！

电动执行机构

参照ONT、OHQ系列角行程电动执行器技术参数



虚线部分为模拟量控制盒，开关型无此尺寸。

产品概述

电动V型调节球阀，配有ONT系列执行机构，无需另配伺服放大器，输入(4~20mA DC或1~5VDC)信号及单相电源即可控制运转，实现对压力、流量、温度、液位等参数的调节。阀芯上开有V型切口，与硬密封阀座相对转动产生剪切力，可将纤维切断，防止卡死。具有流通能力，调节精度高，可调比大，密封性好，重量轻等特点。适用于除小口径，角型、三通连接外的大部分场合，是替代进口产品的最佳产品，特别适用于泥浆和含有纤维性介质，以及含有微小固体悬浮物介质的调节。广泛应用于造纸业，制糖、石油、化工、冶金等工业自动控制系统中。

产品特点

1. 引进德国技术设计结构简单、重量轻、材料成本低，比同样流通能力的直行程调节阀更经济。
2. 不带任何管接头的整体式阀体，因此不受管道或螺栓应力影响，并且由于阀体无任何管接头，故耐压壳体不会受压力“突变”的影响，
3. 防漏耐用的阀座在其外径处衬有带不锈钢内芯PTFE杯形或是O型密封圈，阀座用截面较大的钨钴硬质合金制成，通过一个合金的波纹弹簧进一步增强了阀座的结构。
4. 具有一个V型阀体，即使在小流量或高粘度介质的情况下，也可在整个量程范围内，保证控制的精确性；
5. 当阀门关闭时，V型缺口与阀座之间产生楔形剪切作用，并既具有自洁功能又可防止球芯卡死，特别适用于管线结垢冻结、含纤维的流体、料浆类流体、高粘度流体，含聚合物、颗粒物、结晶体等流体控制场合。

阀门技术参数

公称口径DN(mm)		25~400		
公称压力PN(MPa)		1.6~6.4		
公称压力 PN(MPa)	强度试验	2.4~9.6		
	密封试验	1.76~7.0		
材料/代号		C	P	R
主要 零件	阀体	WCB	ZGCr18Ni9Ti	ZG0Cr18Ni12M02Ti
	球杆	2Cr13	ZGCr18Ni9Ti	ZG0Cr18Ni12M02Ti
	阀杆	2Cr13	1Cr18Ni9Ti	0Cr18Ni12M02Ti
	密封圈	聚四氟乙烯、不锈钢、硬质合金		
填料		聚四氟乙烯、柔性石墨		
适用 工况	适用介质	水，蒸汽，油品	硝酸类	醋酸类
	适用温度	-25℃~+400℃		-28℃~+500℃
连接形式		对夹式、法兰式、法兰按JB79-59标准		

主要连接尺寸

公称直径 DN(mm)	尺寸(mm)							执行机构选配 (常温常压)	
	A	ΦD	H1	H2	H	F	F1		
15	62	Φ64	74	75	390	161	40	ONT-005	OHQ-005
20	62	Φ64	74	75	390	161	40	ONT-005	OHQ-005
25	62	Φ64	74	75	390	161	40	ONT-008	OHQ-008
32	62	Φ78	80	75	400	188	40	ONT-010	OHQ-010
40	62	Φ82	85	75	405	188	40	ONT-010	OHQ-010
50	75	Φ100	87	95	430	188	40	ONT-010	OHQ-010
65	80	Φ120	105	115	460	188	40	ONT-015	OHQ-015
80	100	Φ131	115	125	520	268	40	ONT-020	OHQ-020
100	115	Φ158	125	125	530	268	40	ONT-020	OHQ-020
125	130	Φ180	140	155	570	268	40	ONT-020	OHQ-020
150	160	Φ216	153	165	600	268	40	ONT-040	OHQ-040
200	200	Φ268	200	195	680	268	40	ONT-040	OHQ-040
250	240	Φ325	225	225	730	268	40	ONT-060	OHQ-060

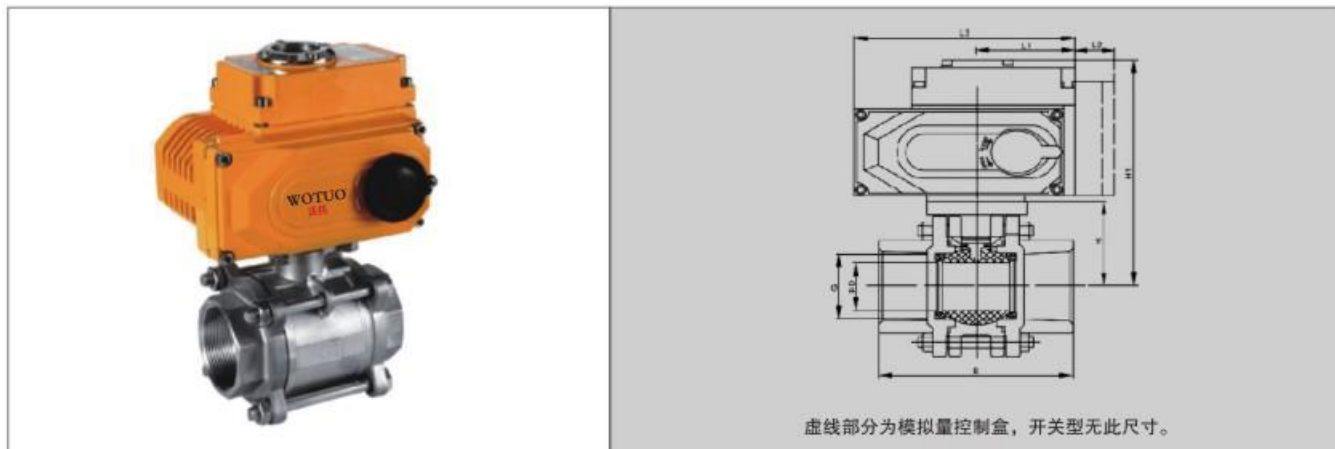
注：以上选配参数仅供参考，具体以实际情况为准！

电动执行机构

参照ONT、OHQ系列角行程电动执行器技术参数

电动三片式球阀

Electric 3PC Ball Valve



产品概述

电动三片式球阀采用一体化结构, 与ONT电动执行机构相配, 有输入控制信号(4-20mADC或1-5VDC)及单相电源即可控制运转, 具有功能强、体积小、轻便易人、性能可靠、配套简单、流通能力大、特别适合于介质是粘稠, 含颗粒, 纤维性质的场合。目前该阀广泛应用于食品、环保、轻工、石油、造纸、化工、教学和科研设备、电力等行业的工业自动控制系统中。

产品特点

内螺纹连接球阀及对焊连接球阀分为整体式(一片式)、两段式及三段式。阀体铸造采用台湾引进的先进工艺, 结构合理、造型美观。阀座采用弹性密封结构, 密封可靠, 启闭轻松。阀杆采用有倒密封的下装式结构, 阀腔异常升压时, 阀杆不会被冲出。二片式、三片式球阀连接形式另有对焊(BW)承插焊(SW), 并均可带国际标准ISO支架平台和锁定装置, 可设置90°开关定位机构, 根据需要加锁以防止误操。

阀门技术参数

公称口径DN(mm)		DN10-100mm			公称压力			PN1.6 2.5 4.0 6.4 31.5MPa(定制)		
连接方式		内螺纹连接			对焊连接					
零件名称	阀体阀盖	WCB	CF8(304)	CF8M(316)	WCB	CF8(304)	CF8M(316)			
	球体、阀杆	2Cr13	0Cr19Ni9	0Cr17Ni12Mo2	2Cr13	0Cr19Ni9	0Cr17Ni12Mo2			
	密封圈、填料	增强聚四氟乙烯、对位聚苯								
适用工况	适用介质	水、蒸汽、油品等	硝酸等腐蚀性介质	醋酸等腐蚀性介质	水、蒸汽、油品等	硝酸等腐蚀性介质	醋酸等腐蚀性介质			
	适用温度	-29℃~+180℃(增强聚四氟乙烯)、-29℃~+300℃(对位聚苯)								

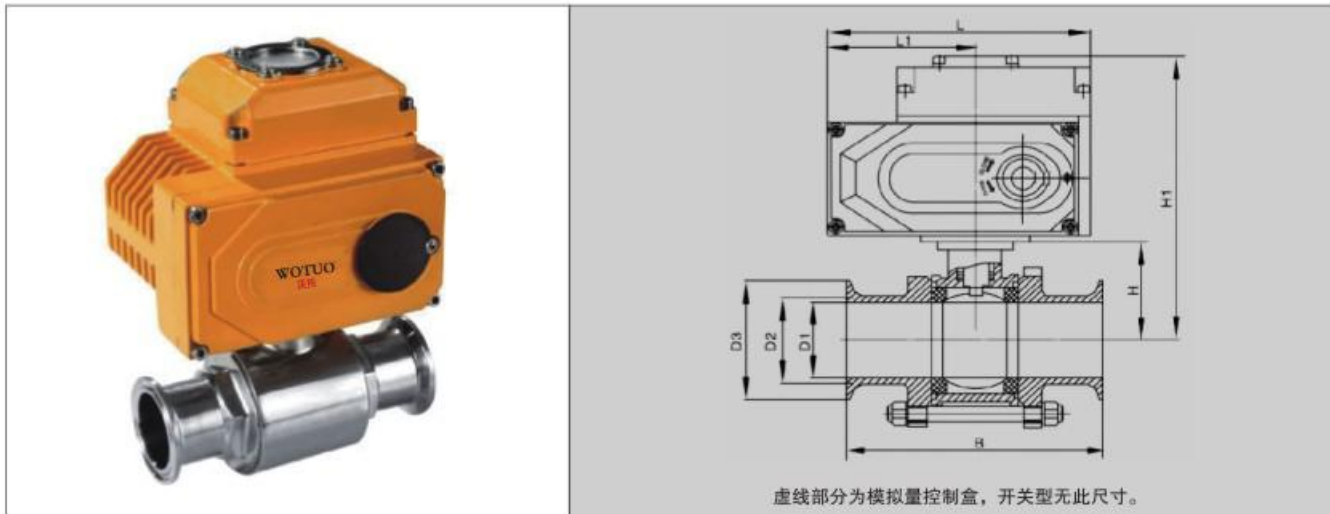
阀门连接尺寸

G	ΦD	B	H1	H	L1	L2	L13	执行机构选配
1/4"	11.2	60	148	42	50	40	123	ONT-003
3/8"	12.5	60	148	42	50	40	123	ONT-003
1/2"	15	72	148	42	50	40	123	ONT-003
3/4"	20	82	148	48.5	50	40	123	ONT-003
1"	25	90	164	58.5	50	40	123	ONT-003
1-1/4"	32	112	184	63	65	40	160	ONT-005
1-1/2"	38	120	195	71	65	40	160	ONT-008
2"	50	145	197.1	78	82	40	189	ONT-010
2-1/2"	65	185	222.5	100	82	40	189	ONT-010
3"	76	210	233	109	82	40	189	ONT-015
4"	100	268	241	140	116	40	266	ONT-020

注: 以上选配参数仅供参考, 具体以实际情况为准!

电动执行机构

参照ONT、OHQ系列角行程电动执行器技术参数



产品概述

ONT系列卫生级球阀, 皆经过了精密的检验流程和严格的品质管理, 流道经过精密抛光和除菌处理, 采用了全包的4F密封, 没有死角且容易清洗。执行器与球阀连接无需支架, 减少了因安装连接引起的质量问题, 同时也为厂区密密麻麻的设备节约了空间。

产品特点

- 1、采用316不锈钢精制而成。
- 2、流道内壁240Grit抛光, 保持流体畅通无阻。
- 3、采用全包PTFE没有死角, 保证卫生。
- 4、无支架与执行器一体式连接。

阀门技术参数

空气驱动	压缩空气4~6bar (可带手轮)
公称口径	15~100mm
公称压力	1.6~6.3MPa
适用温度	-20℃ ~ +200℃
连接方式	对焊、卡箍
阀结构	三块式
阀体材质	316L、316、304
阀芯材质	316L、316、304
密封材质	PTFE
适用材质	卫生级别工矿适用

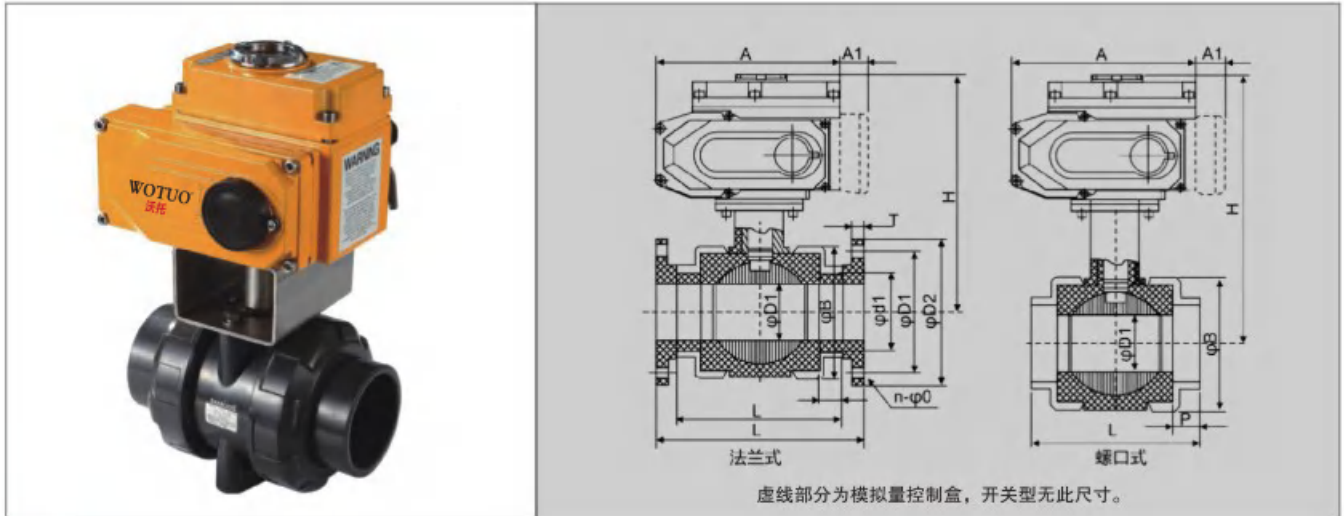
阀门连接尺寸

规格	D1	D2	D3	H1	H	L	L1	执行机构选配 (常温常压)
1/2	10.70	27.50	34.00	148	35	123	74	ONT-003
3/4	15.20	27.50	34.00	162	39	123	74	ONT-003
1	22.60	43.50	50.50	163.50	50.50	160	89	ONT-003
1-1/4	31.30	43.50	50.50	171.50	50.50	160	89	ONT-005
1-1/2	35.60	43.50	50.50	187.00	66.00	189	107	ONT-008
2	48.60	56.50	64.00	187.1	66.00	189	107	ONT-010
2-1/2	60.30	70.50	75.50	222.00	93.00	189	107	ONT-015
3	72.90	83.00	91.00	233	104.00	189	152	ONT-015
4	97.40	110.50	119.00	276	112.00	226	152	ONT-020

注: 以上选配参数仅供参考, 具体以实际情况为准!

电动执行机构

参照ONT、OHQ系列角行程电动执行器技术参数



产品概述

PVC电动球阀采用双由令、法兰连接，不须使用特殊工具即可快速装配。具有结构紧凑、耐磨损、容易拆卸、方便检修、维护简单易行等优点。阀体材质卫生无毒、耐腐蚀性强、重量轻、应用范围广。例如：纯水和生饮水的管路系统、排水和污水管路系统、盐水和海水管路系统、酸碱和化学溶液系统等多个行业。

产品特点

1. 适用温度范围广：-40℃~+95℃；
2. 具有极佳的强度和韧性；
3. 具有优良的耐化学腐蚀性能；
4. 阻燃性能为自熄性；
5. 低热传导性能，约为钢材的1/200；
6. 介质中重离子含量达超纯水标准；
7. 卫生指标符合国家卫生标准要求；
8. 管壁平洁光滑，输送流体时具有较小的摩擦阻力和附着力；
9. 重量轻，相当于钢管1/5、铜管的1/6；
10. 安装方便，可采用法兰、螺纹、由令等方式连接；
11. 优异的耐老化和抗紫外线性能，使正常使用寿命比其他管道系统均有很大的延长。

阀门技术参数

公称通径	15-100mm
连接方式	法兰、螺纹、由令
阀结构	一体、三通L、三通T
阀体材料	UPVC(-10℃~+70℃) CPVC(-40℃~+95℃) RPP(-14℃~+100℃)、PVDF(-40℃~+140℃)
阀芯材料	UPVC(-10℃~+70℃) CPVC(-40℃~+95℃) RPP(-14℃~+100℃)、PVDF(-40℃~+140℃)
密封材料	PTFE、EPDM、NBR
适用介质	PVC兼容的食品工业化学溶剂
可选电动执行器	ONT、OHO系列

主要连接尺寸

公称通径 DN(mm)	D1	D2	D3	e	n	P	H	H1	A	J	T	工作压力 (MPa)	执行机构选配 (常温常压)
15	15	65	95	14	4	16.0	151.6	40	161	66	15	1.0	ONT-005 OHQ-005
20	19	75	105	14	4	18.5	157.7	40	161	66	15	1.0	ONT-005 OHQ-005
25	25	85	115	14	4	22.0	162.0	40	161	66	16	1.0	ONT-005 OHQ-005
32	38	100	140	18	4	26.0	197.7	55	161	73	16	1.0	ONT-005 OHQ-005
40	38	110	150	18	4	31.0	197.7	55	161	73	16	1.0	ONT-005 OHQ-005
50	50	120	165	18	4	37.5	225.3	55	161	85	20	1.0	ONT-005 OHQ-005
65	65	145	85	18	4	43.5	278.2	68	161	110	20	1.0	ONT-005 OHQ-008
80	78	160	200	18	8	51.0	307.7	85	161	110	22	1.0	ONT-008 OHQ-008
100	100	180	220	18	8	61.0	362.0	90	188	140	22	1.0	ONT-010 OHQ-010

注：以上选配参数仅供参考，具体以实际情况为准！

电动执行机构

参照ONT、OHQ系列角行程电动执行器技术参数



Q971F 电动调节对夹球阀
Electric Thin Type Ball Valve



Q911F 电动二片式球阀
Electric 2PC Ball Valve



Q941F 电动法兰球阀
Electric Flange Ball Valve



Q981F 电动真空球阀
Electric vacuum valve

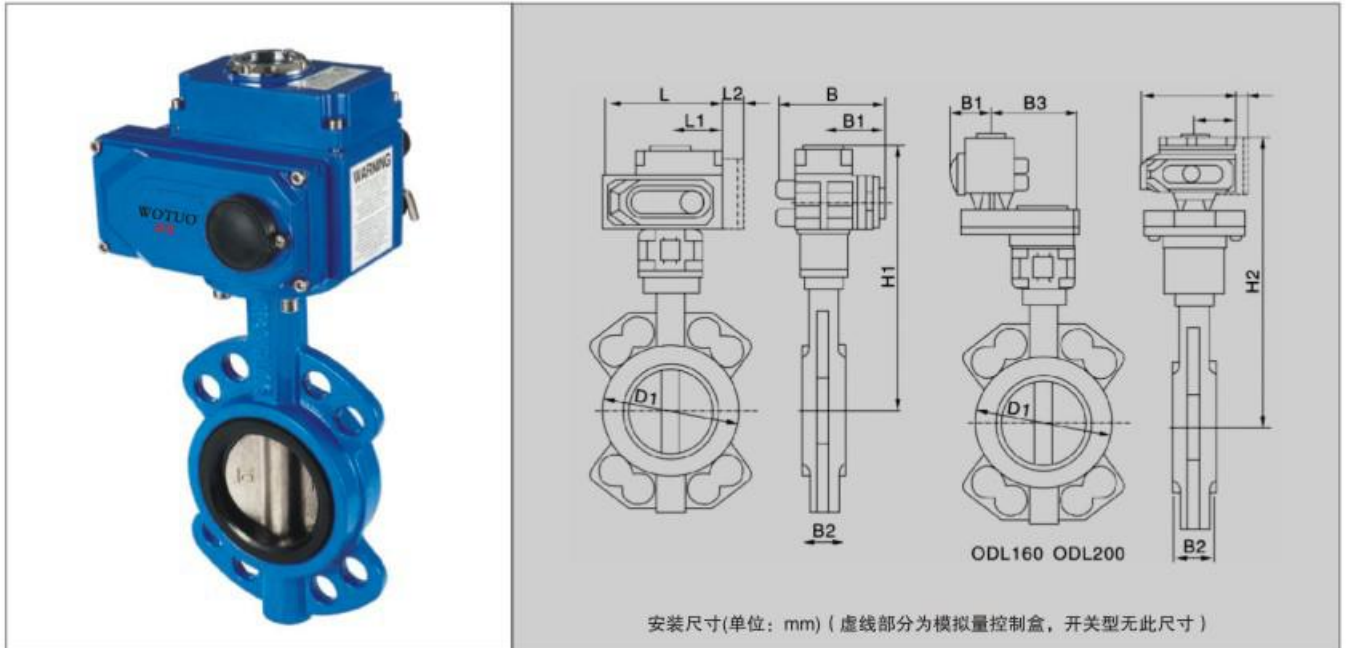


电动防爆球阀
Electric Explosion-proof Ball Valve



Q944F 电动三通防爆球阀
Electric Explosion-proof Three Way Ball Valve





产品概述

电动中线蝶阀是由蝶阀与ONT系列执行机构配套，输入控制信号（4-20mA或1-5VDC）及单相电源即可控制运转，电动蝶阀具有功能强、体积小、轻便宜人，性能可靠、配套简单、流通能力大，电动蝶阀特别是适合于介质是粘稠、含颗粒、纤维性质的场合。目前该电动调节蝶阀广泛应用于食品、环保、轻工、石油、造纸、化工、教学和科研设备、电力等行业的工业自动控制系统中。

阀体

公称通径：50-400mm

公称压力：PN1.0, 1.6, 2.5MPa

连接形式：法兰连接

材 料：HT200 ZG251 ZG1Cr18Ni9 ZG0Cr17Ni12Mo2衬四氟

介质温度：常温型：-20℃~+200℃ 散热型：-40℃~+450℃

适用介质：淡水、海水、食品、天然气、醇类、盐类、酸、碱、油、蒸汽、空气等

密封副适用介质，温度推荐表

密封副材质	适用温度	介质类型及适用程度												突出特性		
		水	水	浆	强	强	气	类	空气	油类	品					
阀座	丁腈	-12℃~+85℃	A	A	A	B	A	D	B	A	C	A	D	A	B	耐油
	三元乙丙	-35℃~+135℃	A	A	A	A	A	C	A	B	B	A	A	C	A	耐老化
	耐腐蚀三元乙丙	-35℃~+160℃	A	A	A	A	A	A	A	B	B	A	A	C	A	耐腐蚀、耐老化
	氟橡胶	-23℃~+135℃	A	A	A	C	A	C	A	A	C	A	A	A	A	耐高温、耐腐蚀
	聚四氟乙烯	-10℃~+150℃	A	A	A	A	A	A	A	A	A	A	A	A	A	耐腐蚀、耐高温
蝶板	球铁电镀	-30℃~+350℃	B	D	C	D	C	D	C	B	A	B	A	A	C	耐热
	球铁尼龙覆层	-30℃~+100℃	A	A	A	A	A	D	A	A	C	A	D	A	A	抗蚀、耐磨、减摩
	铝青铜	-273℃~+232℃	A	B	C	D	C	D	B	A	A	A	A	A	C	耐热、耐腐蚀
	不锈钢	-273℃~+316℃	A	B	C	C	B	C	A	A	A	A	A	A	A	耐高温、耐腐蚀

A非常适用 B适用 C有限适用 D不适用

阀内组件可选材料

主要零部件	材质	适用规格	主要零部件	材质	适用规格
阀体	球墨铸铁	50mm~300mm	阀杆	不锈钢416	50mm~300mm
	灰铸铁	50mm~300mm		不锈钢316	50mm~300mm
	铸钢	50mm~300mm		不锈钢304	50mm~300mm
	不锈钢	50mm~300mm		碳钢镀镍磷	50mm~300mm
阀板	不锈钢CF8	50mm~300mm	阀座	丁腈橡胶NBR	50mm~300mm
	不锈钢CF8M	50mm~300mm		乙丙橡胶EPDM	50mm~300mm
	球墨铸铁镀镍磷	50mm~300mm		氟橡胶VITON	50mm~300mm
	球墨铸铁覆尼龙	50mm~300mm		硅橡胶SEP	50mm~300mm
	铝青铜	50mm~300mm		耐热EPDM	50mm~300mm
				耐磨EPDM	50mm~300mm

主要连接尺寸

规格	L	L1	L2	B	B1	B2	H2	D1	执行机构选配(常温常压)	
50	161	71.5	40	120.5	62	42.6	297	92	ONT-005	OHQ-005
65	161	71.5	40	120.5	62	45.6	310	106	ONT-005	OHQ-005
80	161	71.5	40	120.5	62	45.6	331	122	ONT-005	OHQ-005
100	188	71.5	40	120.5	62	51.6	348	150	ONT-008	OHQ-008
125	268	81	40	165	75	55.6	428	177	ONT-010	OHQ-010
150	268	117	40	268	119	55.6	447	204	ONT-020	OHQ-020
200	268	117	40	268	119	59.6	481	260	ONT-040	OHQ-050
250	268	117	40	268	119	67.6	520	314	ONT-060	OHQ-060
300	268	117	40	268	119	77.8	548	370	ONT-080	OHQ-080
350	268	117	40	268	119	79	583	422	ONT-100	OHQ-120
400	268	117	40	268	119	105	615	473	ONT-200	OHQ-200
450	268	117	40	268	119	112	819	526	ONT-300	OHQ-300
500	268	117	40	268	119	129	847	577	ONT-400	OHQ-400

注：以上选配参数仅供参考，具体以实际情况为准！

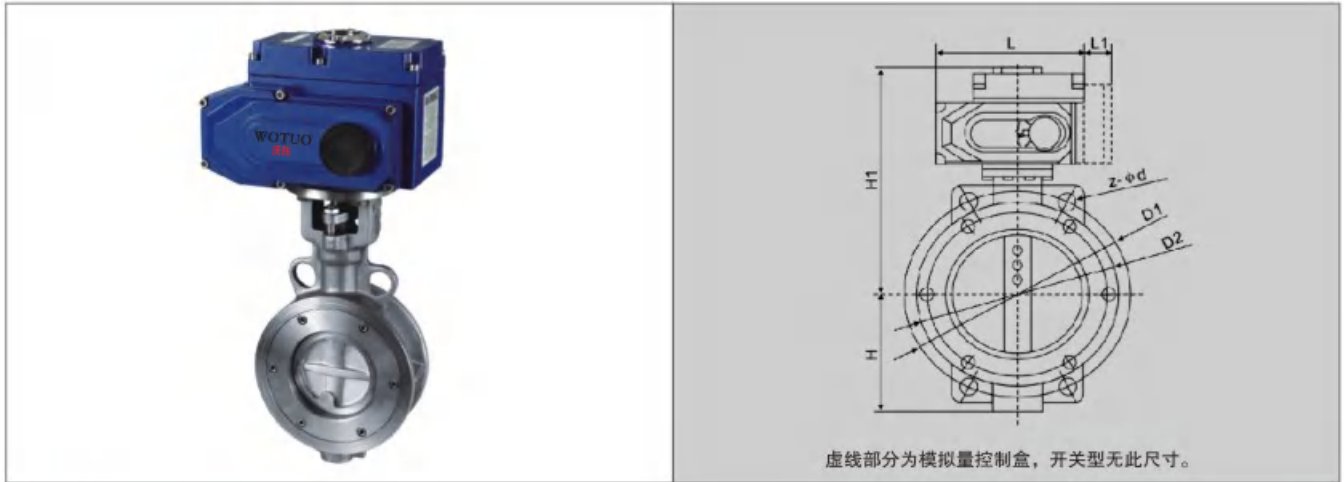
电动执行机构

参照ONT、OHQ系列角行程电动执行器技术参数

电动三偏心硬密封蝶阀

Electric Three-Eccentric Center Butterfly Valve

WOTUO® 沃托
Electric Valve Series 电动阀门系列



产品概述

采用精密的U形弹性密封圈和三偏心多层次金属硬密封结构, 被广泛用于介质温度 $\leq 425^{\circ}\text{C}$ 的冶金、电力、石油化工、以及给排水和市政建设等工业管道上, 作调节流量和截断流体使用。该阀采用三偏心结构, 阀座与碟板密封面均采用铸钢和不锈钢制作, 具有良好的耐腐蚀性, 使用寿命长, 本阀均有双向密封功能, 产品符合国家GB/T13927-92阀门压力试验标准。

产品特点

1. 本阀采用三偏心密封结构, 阀座与碟板几乎无磨损, 具有越关越紧的密封功能。
2. 密封圈选用不锈钢制作, 具有金属硬密封和弹性密封的双重优点, 无论在低温和高温的情况下, 均具有优良的密封性能, 具有耐腐蚀, 使用寿命长等特点。
3. 蝶板密封面采用堆焊钴基硬质合金, 密封面耐磨损, 使用寿命长。
5. 本阀具有双向密封功能, 安装时不受介质流向的限制, 也不受空间位置的影, 可在任何方向安装。
6. 驱动装置可以多工位(旋转 90° 或 180°)安装, 便于用户使用。

阀门技术参数

公称口径DN(mm)	50-600			
公称压力PN(MPa)	1.0	1.6		
公称压力PS(MPa)	强度试验	1.5	2.4	
	密封试验	1.1	4.76	
材料/材料代号	C	P	R	
主要零件	阀体	WCB	ZG1Cr18 Ni9Ti	ZG0Cr18 Ni12Mo2Ti
	碟板	WCB	ZG1Cr18 Ni9Ti	ZG0Cr18 Ni12Mo2Ti
	阀杆	2Cr13	1Cr18 Ni9Ti	0Cr18 Ni12M02Ti
	密封圈	四氟不锈钢		
填料	四氟柔性石墨			
适用工部	适用介质	水、蒸汽、油品	硝酸类	醋酸类
	适用温度	适用温度碳钢:-29°C~+425°C 不锈钢-40°C~+600°C		

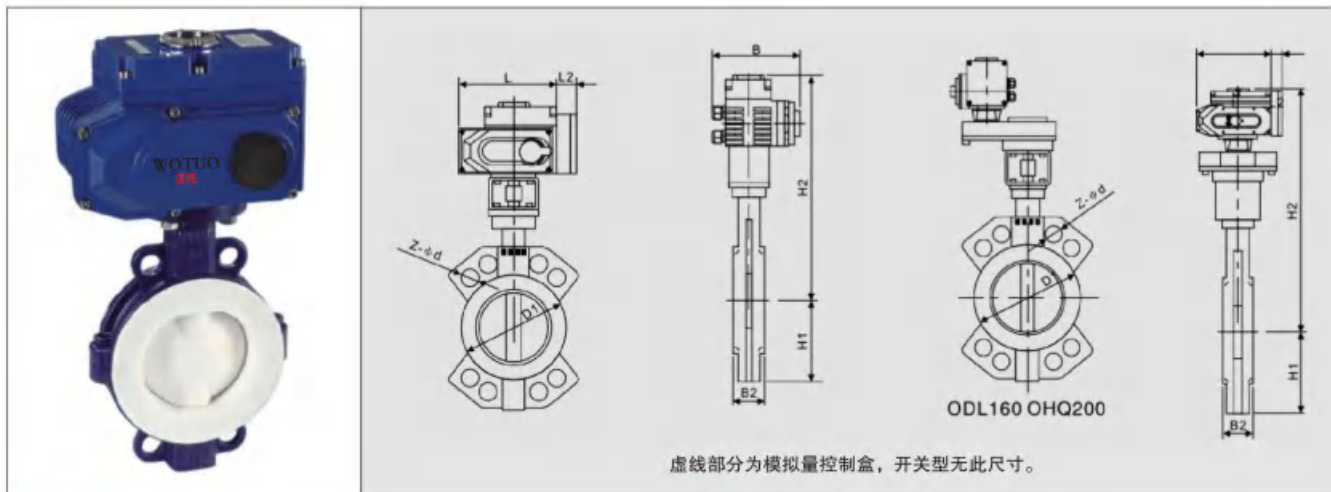
主要连接尺寸

公称口径		外形尺寸(参考值)			连接尺寸(参考值)						执行机构选配	
					PN1.0MPa			PN1.6MPa				
毫米	英寸	L	H1	H	D2	D1	Z-φd	D2	D1	Z-φd		
50	2	161	215	85	82	125	4-18	82	125	4-18	ONT-008	OHQ-008
65	2 1/2	188	280	90	95	145	4-18	95	145	4-18	ONT-010	OHQ-010
80	3	188	285	100	108	160	4-18	108	160	4-18	ONT-015	OHQ-015
100	4	268	310	120	125	180	4-18	125	180	4-18	ONT-020	OHQ-020
125	5	268	310	130	138	210	4-18	138	210	4-18	ONT-030	OHQ-030
150	6	268	315	160	198	240	4-22	198	240	4-22	ONT_040	OHQ-040
200	8	268	380	210	236	295	4-22	236	295	4-22	ONT-060	OHQ-060
250	10	268	460	250	276	355	4-22	276	355	4-26	ONT-080	OHQ-080
300	12	268	475	250	300	410	4-22	308	410	4-26	ONT-100	OHQ-100
350	14	268	510	320	332	470	4-22	340	470	4-26	ONT-200	OHQ-200
400	16	268	550	350	366	525	4-36	374	525	4-30	ONT-300	OHQ-300
450	18	268	590	380	366	585	4-36	384	585	4-30	ONT-400	OHQ-400

注: 以上选配参数仅供参考, 具体以实际情况为准!

电动执行机构

参照ONT、OHQ系列角行程电动执行器技术参数



产品概述

电动衬氟调节蝶阀有开关型和智能型二种，蝶阀与ONT电动执行机构配套，输入控制信号(4-20mADC或1-5VDC)及单相电源即可控制运转，具有功能强、体积小、轻便宜人，性能可靠、配套简单、流通能力大，特别是适合于戒指粘稠、含颗粒、纤维性质的场合。目前该阀门广泛应用于食品、环保、轻工、石油、造纸、化工、教学和科研设备、电力等行业的工业自动控制系统中。

电动执行机构

参照ONT、OHQ系列角行程电动执行器技术参数

阀门技术参数

公称通径DN(mm)	50~500		50~500
公称压力PN(MPa)	0.6	1.0	1.6
密封试验(MPa)	0.66	1.1	1.76
强度试验(MPa)	0.9	1.5	2.4
适用温度	丁腈橡胶：-40℃~+90℃ 氟橡胶：-20℃~+200℃		
适用介质	水、空气、天然气、油品及弱腐蚀性流体		
泄漏率	符合GB/T13927-92标准		
驱动方式	电动		
可配电动执行器	ONT系列、OHQ系列		

产品特点

1. 本阀采用双偏心结构，具有越关越紧的密封功能，密封性能可靠。
2. 密封副材料选用不锈钢和丁腈耐油橡胶配对，使用寿命长。
3. 四氟密封即可拉于阀体上，也可以位于碟板上，可适用不同特点的介质，供用户选择。
4. 蝶板采用框架结构，强度高，过流面积大，流阻小。
5. 整体烤漆、能有效地防止锈蚀且要更换密封阀座密封材料，就可使用于不同介质。
6. 本阀具有双向密封功能，安装时不受介质流向的控制，也不受空位置的影响，可在任何方向安装。
7. 本阀结构独特，操作灵活，省力，方便。

电动衬氟蝶阀主要零部件材料

名称	材料
阀体	WCB、QT450-10、HT200、HT250、1Cr18Ni9
碟板	WCB、QT450-10、HT200、HT250、1Cr18Ni9
阀轴	2Cr13
密封面	四氟
填料	柔性石墨

电动衬氟蝶阀执行标准

制造标准	GB/T122387-89
法兰标准	GB9113-2000、GB17241.6-1998
结构长度标准	GB12221-89
检验标准	GB/T13927-92

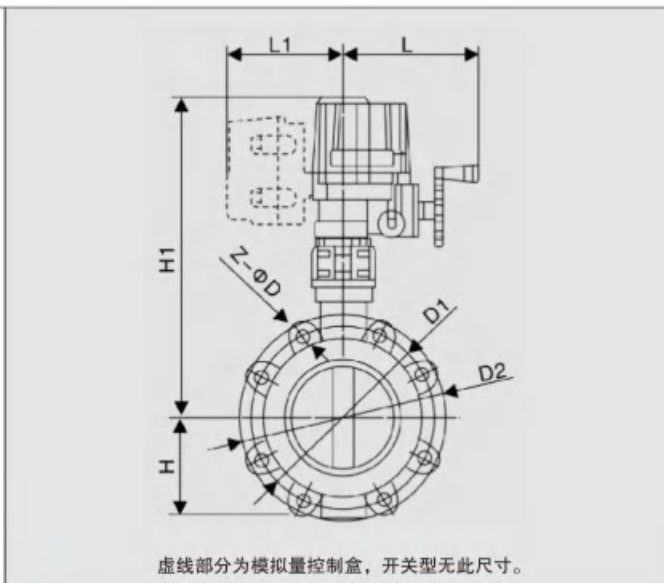
主要连接尺寸

通径	L	L2	B	B1	B2	H1	H2	D2	Z-φd	执行机构选配(常温常压)	
50	161	40	145	83.5	42.6	70	297	125	4-18	ONT-005	OHQ-005
65	161	40	145	83.5	45.6	80	310	145	4-18	ONT-005	OHQ-005
80	161	40	163	75	45.6	92	331	160	8-18	ONT-008	OHQ-008
100	188	40	163	75	51.6	107	348	180	8-18	ONT-010	OHQ-010
125	188	40	211	92.5	55.6	121	428	210	8-18	ONT-015	OHQ-015
150	268	40	211	92.5	55.6	134	447	240	8-22	ONT-020	OHQ-020
200	268	40	211	92.5	59.6	170	481	295	8-22	ONT-040	OHQ-040
250	268	40	211	92.5	67.6	208	520	355	12-26	ONT-060	OHQ-060
300	268	40	211	92.5	77.6	240	548	410	12-26	ONT-080	OHQ-080
350	268	40	211	92.5	79	265	583	470	16-26	ONT-100	OHQ-100
400	268	40	211	92.5	105	297	615	525	16-30	ONT-200	OHQ-200
450	268	40	250	119	112	331	819	585	20-30	ONT-300	OHQ-300
500	268	40	250	119	129	361	847	650	20-33	ONT-400	OHQ-400

注：以上选配参数仅供参考，具体以实际情况为准！

电动防爆蝶阀

Electric Three-Eccentric Center Butterfly Valve



产品概述

电动防爆蝶阀是由蝶阀与OHQ系列电动执行机构（可选防爆）配套，输入控制信号（4~20mA或1~5VDC）及单相电源即可控制运转，电动蝶阀具有功能强、体积小、轻便宜人、性能可靠、配套简单、流通能力大，电动蝶阀特别是适合介质是粘稠、含颗粒、纤维性质的场合。目前该电动调节蝶阀广泛应用于食品、环保、轻工、石油、造纸、化工、教学和科研设备、电力等行业的工业自动控制系统中。

阀内组件可选材料

主要零部件	材质	适用规格	主要零部件	材质	适用规格
阀体	球墨铸铁	50mm~300mm	阀杆	不锈钢416	50mm~300mm
	灰铸铁	50mm~300mm		不锈钢316	50mm~300mm
	铸钢	50mm~300mm		不锈钢304	50mm~300mm
	不锈钢	50mm~300mm		碳钢镀镍磷	50mm~300mm
阀板	不锈钢CF8	50mm~300mm	阀座	丁腈橡胶NBR	50mm~300mm
	不锈钢CF8M	50mm~300mm		乙丙橡胶EPDM	50mm~300mm
	球墨铸铁镀镍磷	50mm~300mm		氟橡胶VITON	50mm~300mm
	球墨铸铁覆尼龙	50mm~300mm		硅橡胶SEP	50mm~300mm
	铝青铜	50mm~300mm		耐热EPDM	50mm~300mm
			耐磨EPDM	50mm~300mm	

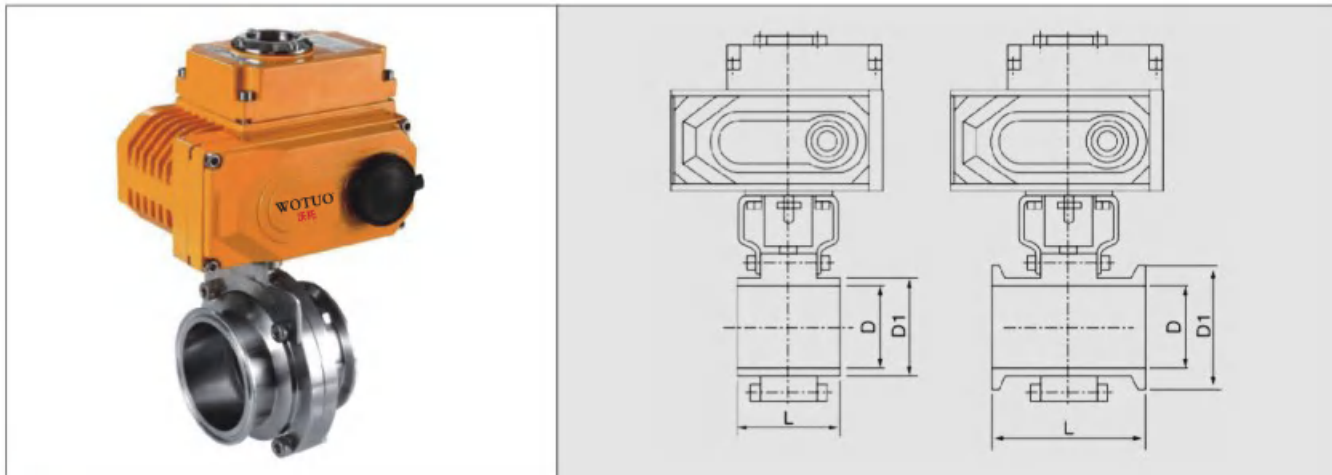
阀体

公称通径：50~400mm
公称压力：PN1.0, 1.6, 2.5Mpa
连接形式：法兰连接
材料：HT200 ZG251 ZG1Cr18Ni9 ZG0Cr17Ni12Mo2衬四氟
介质温度：常温型：-20℃~+200℃ 散热型：-40~+450℃
适用介质：淡水、海水、食品、天然气、醇类、盐类、酸、碱、油、蒸汽、空气等

主要连接尺寸

通径	L	L1	H1	H2	D1	D2	Z-φd	执行机构选配(常温常压)	
50	216	190	70	412	125	155	4-φ16	ONT-005	OHQ-005
65	216	190	76	425	145	175	4-φ16	ONT-005	OHQ-005
80	216	190	89	437	160	190	8-φ16	ONT-005	OHQ-005
100	216	190	104	452	180	214	8-φ16	ONT-008	OHQ-008
125	216	190	120	504	210	252	8-φ16	ONT-010	OHQ-010
150	276	221	132	521	240	282	8-φ16	ONT-020	OHQ-020
200	276	222	167	607	295	337	8-φ16	ONT-040	OHQ-050
							12-φ20		
250	276	240	202	686	350/355	405	12-φ20	ONT-060	OHQ-060
							12-φ24		
300	276	240	239	714	400/410	460	12-φ20	ONT-080	OHQ-080
							12-φ24		
350	276	240	265	749	460/470	524	16-φ20	ONT-100	OHQ-120
							16-φ24		
400	276	240	297	781	515/525	585	16-φ24	ONT-200	OHQ-200
							16-φ27		

注：以上选配参数仅供参考，具体以实际情况为准！



产品概述

电动卫生级蝶阀采用标准电子抛光，光滑表面确保清洁，无介质积存区域，不会产生潜在的污染。快速拆装阀，使阀门打开和维修快捷容易，使过程停机时间缩短。广泛应用于如食品、制药、化妆品、洁净蒸汽、酒类、饮料、生化工业过程控制场合，具有结构紧凑、装拆方便等优点。

产品特点

- 1、设计新颖、合理、结构独特，重量轻、启闭迅速。
- 2、操力矩小，操作方便，省力灵巧。
- 3、可以任何位置安装，维修方便。
- 4、密封材料耐老化、耐腐蚀，使用寿命长等特点。

执行标准

设计标准：GB/T2238-1989
 法兰连接尺寸：GB/T9113.1-2000；GB/T9115.1-2000，JB78
 结构长度：GB/T12221-1989
 压力试验GB/T13927-1992;JB/9092-1999

主要技术参数

公称压力	DN(mm)	15~150		
试验压力	PN(MPa)	0.6	1.0	1.6
试验压力	强度试验	0.9	1.5	2.4
试验压力	密封试验	0.66	1.1	1.76
试验压力	气密封试验	0.6	0.6	0.6
适用介质	空气、水、蒸汽、油品等			
驱动形式	电传动			
连接方式	快装式、卡箍式、外螺纹、焊接式等			

电动衬氟蝶阀执行标准

名称	材料
阀体	304、316、316L
碟板	304、316、316L
密封圈	硅橡胶、氟橡胶、聚四氟
阀杆	304、316、316L
填料	硅橡胶、氟橡胶、聚四氟

蝶阀密封材料选用和使用温度

材料品种	聚四氟乙烯	硅橡胶	氟橡胶	天然橡胶	尼龙
英语简称	PTFE	SI	VITON	NR	PA
型号代号	F或XC、JC	XD或JD	XE或JE	X1	N
耐最高温度	232℃	250℃	204℃	85℃	93℃
耐最低温度	-268℃	-70℃	-23℃	-20℃	-73℃
使用工作温度	-30℃~+150℃	-70℃~+150℃	-23℃~+150℃	-20℃~+85℃	-30℃~+93℃

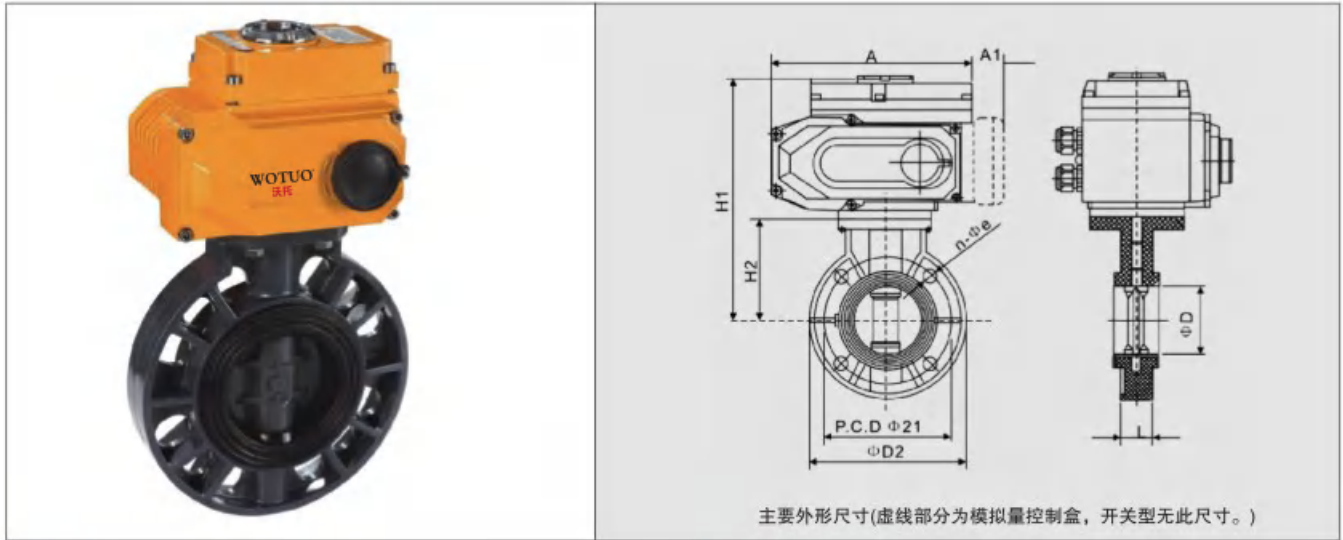
主要连接尺寸

公称通径 mm	英寸"	尺寸(mm)						执行机构选配	
		焊接式			卡箍式				
		L	D	D1	L	D	D1		
25	1	40	21.1	25.4	64	22.1	50.4	ONT-005	OHQ-005
40	1-3/4"	50	34.8	38.1	72	34.8	50.4	ONT-005	OHQ-005
50	2	50	47.5	50.8	72	47.5	63.9	ONT-005	OHQ-005
65	2-1/2"	50	60.2	63.5	76	60.2	77.5	ONT-005	OHQ-005
80	3	50	72.9	76.2	76	72.9	90.9	ONT-008	OHQ-008
100	4	64	97.4	101.6	104	97.4	118.9	ONT-010	OHQ-010

注：以上选配参数仅供参考，具体以实际情况为准！

电动执行机构

参照ONT、OHQ系列角行程电动执行器技术参数



产品概述

PVC电动蝶阀重量轻、耐腐蚀性强, 被应用于多个领域, 如一般纯水和生饮水的管路系统、排水和污水管路系统、盐水和海水管路系统、酸碱和化学溶液系统等多个行业, 品质得到广大用户的认可。

主要技术参数

公称通径	50~600mm
连接方式	对夹
阀体材质	UPVC(-10℃~+70℃)、CPVC(-40℃~+95℃)、RPP(-14℃~+100℃)、PVDF(-40℃~+140℃)
阀芯材质	UPVC(-10℃~+70℃)、CPVC(-40℃~+95℃)、RPP(-14℃~+100℃)、PVDF(-40℃~+140℃)
密封材质	PTFE、EPDM、NBR
适用介质	PVC兼容的食品工业化学溶剂
可选电动执行器	ONT、OHQ系列

产品特点

1. 使用温度范围广: -40℃~+95℃;
2. 具有极佳的强度和韧性;
3. 具有优良的耐化学腐蚀性性能;
4. 阻燃性能为自熄性;
5. 地热传导性能, 约为钢材的1/200;
6. 介质中重离子含量达超纯水标准;
7. 卫生指标符合国家卫生标准要求;
8. 管壁平洁光滑, 输送流体时具有较小的摩擦阻力和附着力;
9. 重量轻, 相当于钢管1/2, 铜管的1/6;
10. 外形结构紧凑美观、材质卫生无毒、安装方便, 耐磨损、容易拆卸, 维护简单易行;
11. 优异的耐老化和抗紫外线性能, 使正常使用寿命比其他管道系统均有很大的延长;

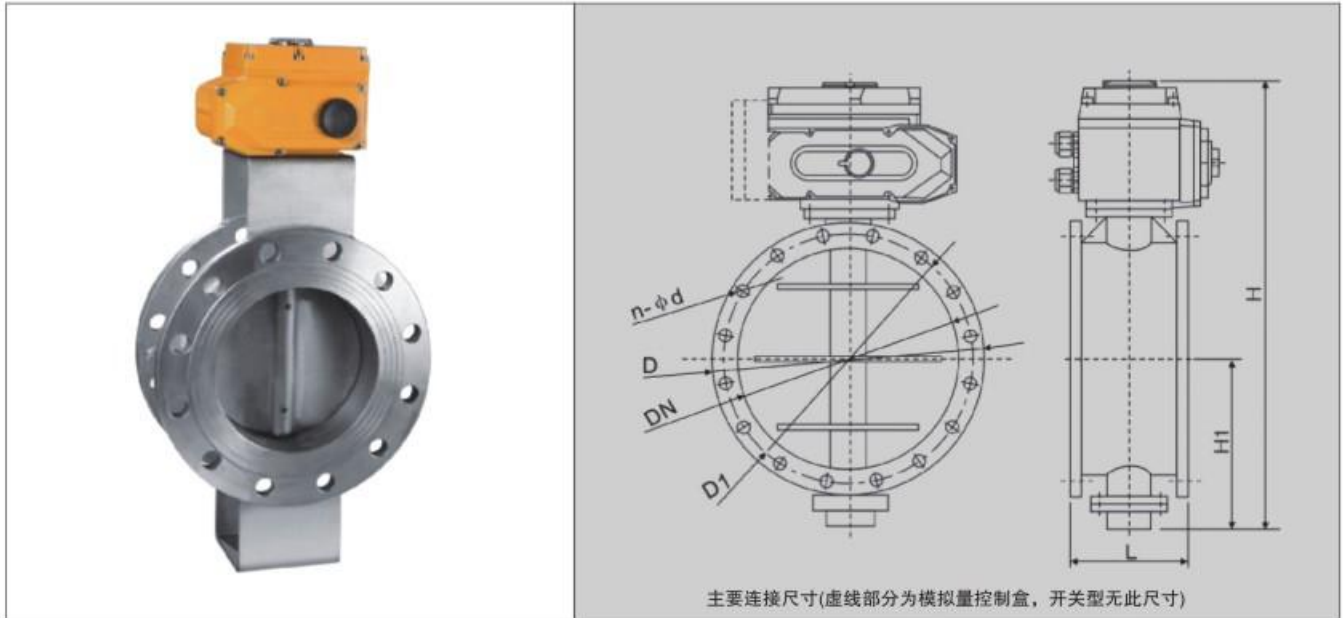
主要连接尺寸

公称通径 (mm)	D	外形尺寸 (mm)										工作压力 (Mpa)	执行机构选配 (常温常压)	
		D1				D2	A	L	H1	H2	n-φe			
D1	JIS	DIN	ANSI											
40	47	110	105	110	3.88	150	161	39	86	70	4-18	0.7	ONT-005	OHQ-005
50	56	125	120	125	4.75	160	161	40	88	70	4-18	0.7	ONT-005	OHQ-005
65	71	145	145	145	5.50	185	161	46	100	70	4-18	0.7	ONT-005	OHQ-005
80	85	160	160	160	6.00	195	161	46	105	85	8-18	0.7	ONT-005	OHQ-005
100	105	180	180	180	7.50	215	161	54	118	85	8-18	0.6	ONT-008	OHQ-008
125	131	210	210	210	8.50	250	161	70	163	93	8-18	0.5	ONT-008	OHQ-008
150	153	240	240	240	9.50	285	188	74	176	93	8-22	0.5	ONT-010	OHQ-010
200	204	295	290	295	11.75	340	188	87	210	93	8-22	0.4	ONT-015	OHQ-015
250	255	350	355	350	14.25	395	268	114	240	93	12-22	0.3	ONT-020	OHQ-020
300	307	400	400	400	17.00	445	268	114	270	93	12-22	0.3	ONT-030	OHQ-030
350	358	460	445	460	18.75	505	268	127	300	93	16-22	0.3	ONT-040	OHQ-050
400	389	515	510	515	21.25	580	268	140	350	108	16-22	0.3	ONT-060	OHQ-060
450	446	565	565	565	22.75	615	268	152	370	108	20-26	0.2	ONT-080	OHQ-080
500	494	620	620	620	25.00	670	268	152	400	108	20-26	0.2	ONT-100	OHQ-120
600	590	725	730	725	29.50	780	268	178	465	108	20-30	0.2	ONT-160	OHQ-150

注: 以上选配参数仅供参考, 具体以实际情况为准!

电动执行机构

参照ONT、OHQ系列角行程电动执行器技术参数



产品概述

D941W型电动调节通风蝶阀, 由角型程电子式电动执行器和蝶形阀调节机构组成。采用ONT型、OHQ型全电子式电动执行器为通风蝶形阀的驱动装置, 机电一体化的结构设计、具有机内同伺服操作和开度信号位置反馈、位置指示、手动操作等功能, 功能强、性能可靠、控制精确, 以AC220V或AC380V电源电压动力, 接受控制系统输入的(4~20mA或1~5DC)电流信号或电压信号。即可控制运转, 实现对工艺流体介质的比例调节控制或开关控制。

其主要特点:通风蝶阀采用与阀体相同材料加工成密封圈,其适用温度和耐腐蚀性随阀体选材而定,公称压力 $\leq 0.6\text{MPa}$,其泄漏量控制在最大流通的2%以内,应用于工业、冶金、环保等管道作通风调节介质流量之用。具有结构简单、重量轻、操作力矩小、启闭迅速、动作灵活、流通能力大、调节精度高等特点。适用于烟气、粉尘、空气或含有悬浮颗粒的流体及浓浊、浆体流体的调节与控制。

主要技术参数和性能指标

公称通径DN(mm)	DN50-DN2000		
公称压力PN(MPa)	0.1、0.25、0.6		
阀芯转角	0° ~90°		
作用形式	电开式或电闭式		
流量特性	近似等百分比		
允许压差MPa	0.6		
性能指标	基本误差: $\pm 25\%$; 回差 $\leq \pm 20\%$; 死区 $\leq 3.0\%$		
电源电压	AC220V、AC380V、DC24V		
调节型	信号范围	0~10mA、4~20mA、1~5VDC	
开关型	电信号	AC220V、AC380V、DC24V; 反馈信号: 有源触点信号或无触点信号	

主要零件材料及适用温度、介质

材料代号	碳钢C(WCB)	不锈钢P(304)	不锈钢P(304)
阀本	WCB	1Cr18Ni9	1Cr18Ni12Mo2
阀板	WCB或Cr18Ni9	1Cr18Ni9	1Cr18Ni12Mo2
阀杆	2Cr13	1Cr18Ni9	1Cr18Ni12Mo2
阀座密封		与阀体相同	
填料		聚四氟乙烯、柔性石墨	
适用温度	$\leq 300^\circ\text{C}$		$\leq 500^\circ\text{C}$

主要技术参数和性能指标

公称通径 DN	D	D1	H	H1	L	N-φd	执行机构选配 (常温常压)	
50	140	110	286	70	100	4-14	ONT-005	OHQ-005
65	160	130	306	80	100	4-14	ONT-005	OHQ-005
80	190	150	334	95	100	4-18	ONT-008	OHQ-008
100	210	170	354	105	120	4-18	ONT-010	OHQ-010
125	240	200	384	120	120	8-18	ONT-010	OHQ-010
150	265	225	409	132	140	8-18	ONT-010	OHQ-010
200	320	280	593	160	140	8-18	ONT-010	OHQ-010
250	375	335	650	187	140	12-18	ONT-020	OHQ-020
300	440	395	715	220	170	12-22	ONT-020	OHQ-020
350	490	445	814	245	170	12-22	ONT-030	OHQ-030
400	540	495	863	270	190	16-22	ONT-040	OHQ-050
450	595	550	918	297	190	16-22	ONT-040	OHQ-050
500	645	600	1016	322	190	20-22	ONT-060	OHQ-060
600	755	705	1128	377	210	20-26	ONT-060	OHQ-060
700	860	810	1233	430	210	24-26	ONT-100	OHQ-120
800	975	920	1344	487	210	24-30	ONT-100	OHQ-120
900	1075	1020	1560	537	250	24-30	ONT-160	OHQ-150
1000	1175	1120	1660	587	250	28-30	ONT-200	OHQ-200
1200	1405	1340	1890	687	250	32-33	ONT-200	OHQ-200
1400	1630	1560	2670	760	300	36-36	ONT-300	OHQ-300
1600	1830	1760	2810	895	300	40-36	ONT-300	OHQ-300
1800	2045	1970	3020	995	300	44-39	ONT-400	OHQ-400
2000	2265	2180	3220	1095	300	48-42	ONT-400	OHQ-400

注：以上选配参数仅供参考，具体以实际情况为准！

电动执行机构

参照ONT、OHQ系列角行程电动执行器技术参数



上海沃托阀门有限公司

HIGH PLATFORM BALL VALVE

SHANGHAI WOTUO VALVE CO.,LTD.

高平台浮动式球阀



WOTUO[®]

wotuo ballvalve1311-1

阀门整体采用两片式结构，法兰连接型式，浮动式球体。

全通径设计，满足管线清管的要求，具有最大的流通能力。

碳钢阀体表面均经黑色磷化处理，具有抗腐蚀、防止生锈的作用。

不锈钢阀体采用全硅溶胶精铸工艺，经固溶退火处理，确保阀门拥有更高的机械性能。

本阀主要用于截断或接通管路中的介质，选用不同的材质，可分别适用于水、蒸汽、油品、硝酸、醋酸、氧化性介质、尿素等多种介质。本阀可广泛应用于造纸、石化、化工、冶金、电力、环保、石油、轻工等工业部门的自动化控制系统中。

The valve adopts a two-piece structure on the whole, plus a flange connection type and a floating ball.

Its full-bore design can meet pipeline pigging requirements, with a maximum flow capacity.

The carbon steel body surface all adopts black phosphate treatment, with resistance to corrosion and rust.

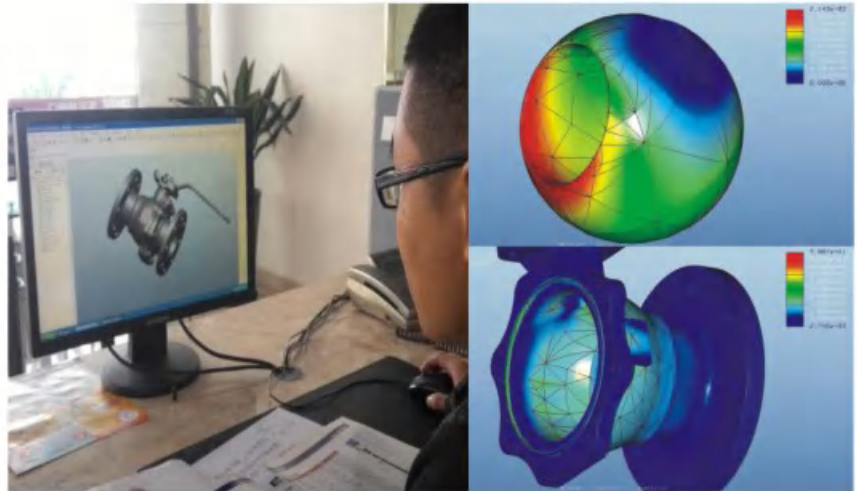
The stainless steel body adopts full silicasol precision casting plus solution annealing treatment to ensure the valve has a higher mechanical performance.

The valve is mainly used to cut off or connect media in pipelines, and with different materials, it can be respectively applicable for many kinds of media, like water, steam, oil, nitric acid, acetic acid, oxidizing media and urea. The valve can be widely applied for automatic control systems in such industrial sectors as papermaking, petrochemicals, chemical engineering, metallurgy, electricity, environmental protection, petroleum and light industry.

设计 Design

阀门设计采用PRO-ENGINEER三维造型软件，通过有限元强度及位移分析，将所有重要零部件的应力及变形控制在安全范围以内，保证各部件在最高使用压力下拥有足够的强度及刚度。

The valve's design adopts PRO-ENGINEER 3D modeling software to control stress and deformation of all major parts within a safe range through finite element analysis on strength and displacement, thus ensuring that such parts have sufficient strength and rigidity under the maximum working pressure.



专利产品 Patent product

阀门已荣获三项中国国家专利 Valve was granted three state patents of China



执行器安装 Installation of actuator

阀门头部提供固有的安装平台，可直接安装各种执行机构，便于实现自动化控制。

The valve's head is provided with an inherent mounting platform for direct mounting of various actuators, facilitating automatic control.



气动驱动
Pneumatic actuating



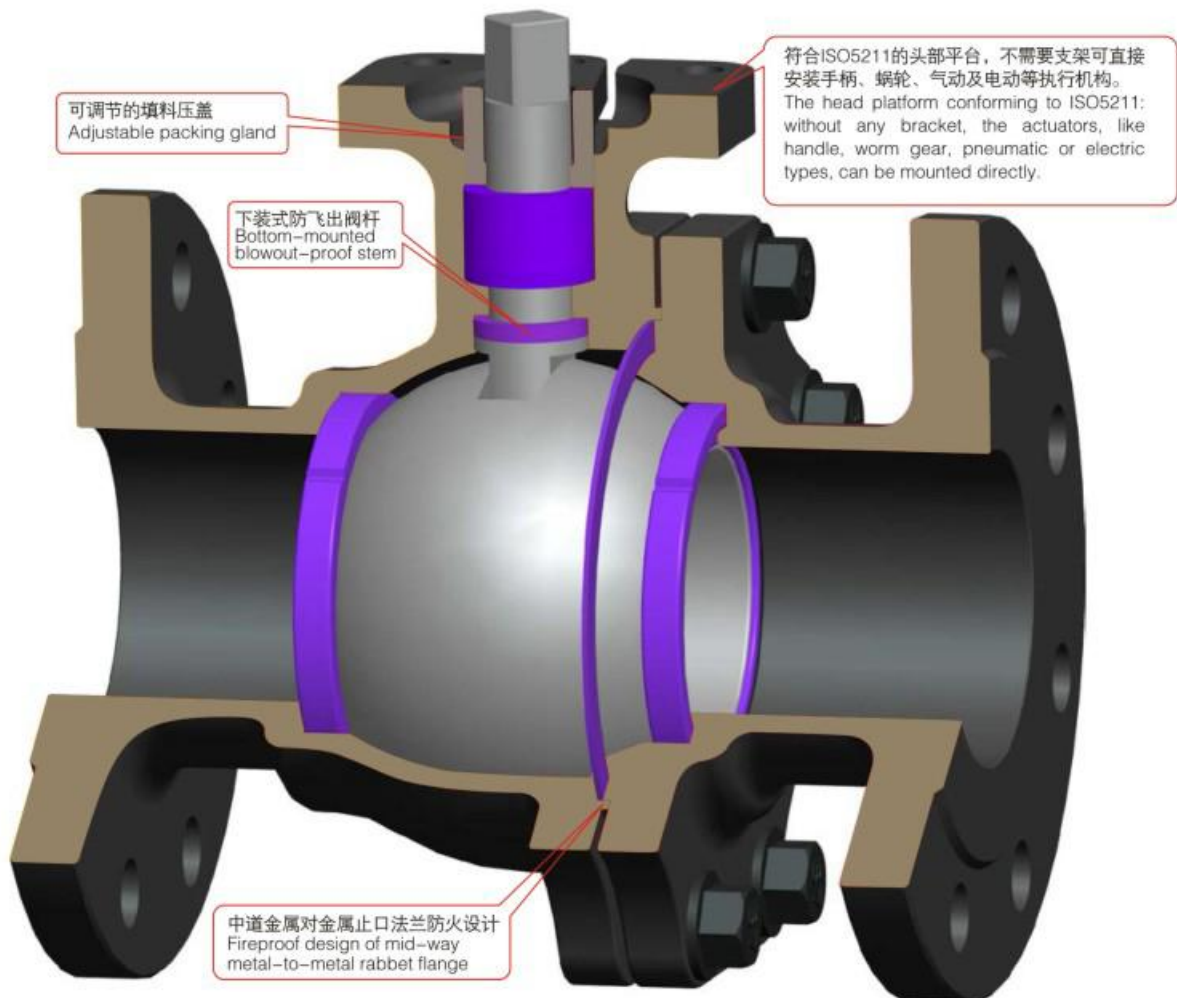
电动驱动
Electric actuating



蜗轮驱动
Worm gear actuating



手柄驱动
Handle actuating



公称通径 Size	DN15 ~ DN200
公称压力 Pressure	0.6 ~ 6.3Mpa
温度范围 Temperature range	-196℃~260℃
法兰标准 Flange Standard	GB/T9113 / HG/T20592
结构长度 Face to Face length	GB/T12221 / En558

材质 Material

序号 No.	零件名称 Name	碳钢系列 Carbon Steel	不锈钢系列 Stainless Steel
1	阀体 Body	WCB	CF8
2	阀盖 Bonnet	WCB	CF8
3	球体 Ball	0Cr18Ni9	0Cr18Ni9
4	阀杆 Stem	20Cr13	0Cr18Ni9
5	阀座 Seat	PTFE	PTFE
6	填料压盖 Packing gland	WCB	CF8
7	组合填料 Combined packing	PTFE	PTFE
8	手柄 Handle	WCB	CF8
9	中道垫片 Mid-way washer	PTFE	PTFE
10	倒密封垫 Back sealing gasket	PTFE	PTFE
11	六角螺栓 Hexagonal bolt	35CrMo	0Cr18Ni9
11a	内六角螺钉 Socket head cap screw	35CrMo	0Cr18Ni9
12	六角螺栓 Hexagonal bolt	35CrMo	0Cr18Ni9
12a	双头螺栓 Stud	35CrMo	0Cr18Ni9
12b	六角螺母 Hexagonal nut	45	0Cr18Ni9



阀座材料选择 Seat Material Options

本公司可提供大量不同得阀座材料来满足不同的工况需求。标准阀座材料为PTFE (聚四氟乙烯) ; 可供选择的阀座材料有RPTFE (增强型聚四氟乙烯), PPL (对位聚苯), PEEK (聚醚醚铜) 等。PPL和PEEK均具有良好的耐高温及高压的能力。

Our company provides a lot of different seat material options to meet different working conditions. The standard seat material is PTFE (polytetrafluoroethylene); and other options include RPTFE (reinforced PTFE), PPL (para-polyphenyl), PEEK (polyether ether ketone), etc. Both PPL and PEEK have strong resistance to high temperatures and pressures.

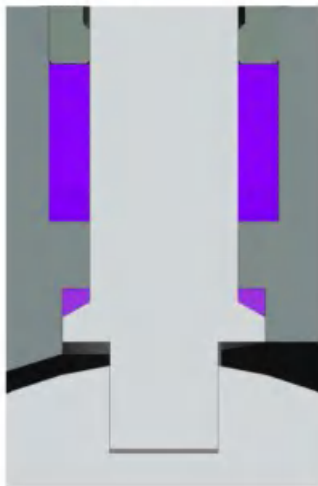
公称通径 Size	1/2" ~ 8"
公称压力 Pressure	Class150 ~ Class300
温度范围 Temperature range	-320° F~500° F
法兰标准 Flange Standard	ASME B 16.5
结构长度 Face to Face length	ASME B 16.10 EN558

材质 Material

序号 No.	零件名称 Name	碳钢系列 Carbon Steel	不锈钢系列 Stainless Steel
1	阀体 Body	A216 WCB	A351 CF8M
2	阀盖 Bonnet	A216 WCB	A351 CF8M
3	球体 Ball	A182 F304	A182 F316
4	阀杆 Stem	A182 F304	A182 F316
5	阀座 Seat	PTFE	PTFE
6	填料压盖 Packing gland	A216 WCB	A351 CF8M
7	组合填料 Combined packing	PTFE	PTFE
8	手柄 Handle	A216 WCB	A216 WCB
9	中道垫片 Mid-way washer	PTFE	PTFE
10	倒密封垫 Back sealing gasket	PTFE	PTFE
11	六角螺栓 Hexagonal bolt	A193 B7	A193 B8
11a	内六角螺钉 Socket head cap screw	A193 B7	A193 B8
12	六角螺栓 Hexagonal bolt	A193 B7	A193 B8
12a	双头螺栓 Stud	A193 B7	A193 B8
12b	六角螺母 Hexagonal nut	A194 2H	A194 8



阀杆 Stem Seals



阀门采用下装式阀杆防飞出倒密封结构，即阀杆是从阀体内部倒装，并在阀杆的尾部加工有锥面台阶，这样的设计当阀腔压力异常升高或在停机检修时，阀杆不会被冲出；这种结构同时可实现阀杆自密封，阀腔压力越高阀杆的密封性能就越好，而且这种倒密封结构可以有效的防止阀杆和阀体的摩擦，从而起到降低阀门操作扭矩的作用。

阀杆密封填料标准配置材料为PTFE（聚四氟乙烯），是由一组V型填料和填料垫组合而成，这样能有效的将填料压盖的预紧力转化为阀杆的密封力。防火型阀门将采用柔性石墨作为填料和倒密封垫。

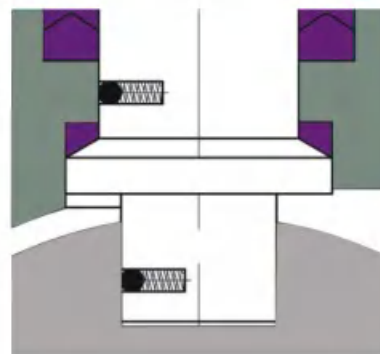
The valve adopts a bottom-mounted stem blowout-proof back-seal structure, that is, the stem is upside-down mounted inside the valve body and cone steps are machined on the stem's tail. With such a design, the stem will not be blown out in case of an abnormal pressure rise of the valve cavity or shutdown overhaul; also such a structure can achieve self-sealing of the stem: the higher the valve cavity pressure is, the better the stem's sealing performance will be, and such a back-seal structure can effectively avoid friction of the stem and the body, thus reducing the valve's working torque.

The stem seal packing, whose standard material is PTFE (polytetrafluoroethylene), consists of a combination of V-shaped packing and packing pad, which can effectively convert the pretightening force of the packing gland into the stem's sealing force. A fire-proof valve will adopt the flexible graphite as the packing and the back sealing gasket.

防静电结构 Anti-static System

当阀门正常操作时，球体和软密封阀座摩擦会产生静电。若客户有要求或管道介质为易燃气体时，可定制防静电结构。此结构采用弹簧+钢球静电引出装置，使球体和阀杆、阀杆和阀体之间形成静电通道，以达到消除静电积累、确保系统安全的目的。

When the valve operates normally, the friction between the ball and the soft seal seat will generate static sparks. If any customer requires or the pipeline medium is an inflammable gas, the anti-static structure can be customized. Such a structure adopts a spring plus steel ball static lead device so as to form a static channel between the ball and the stem and between the stem and the body to achieve the purpose of eliminating static accumulation and ensuring the system's safety.



高平台 High Platform

符合ISO5211标准的高平台和阀杆平行方头设计，不需要改动或加装任何部件就可直接安装各种执行机构，便于实现自动化控制；所有阀门均提供一个单独的下压式填料压盖，可在任何情况下都可进行预紧力调节。对于手柄驱动的阀门，公司每台阀门均提供一个专利设计带有定位孔的手柄，此手柄设置了90°开关定位片及定位孔，可精准的控制阀门的开位及关位，而且可根据客户的需要加锁锁住手柄，防止误操作。

Thanks to a design of a high platform and a parallel square head of the stem conforming to ISO5211, different kinds of actuators can be directly mounted without any modification or installation of any additional components, facilitating automatic control; and all valves are provided with a separate downward packing gland, which can regulate the pretightening force under any circumstances. For all of our handle-driven valves, each of them has a handle with a patent design of a positioning hole. The handle is provided with a 90° switch positioning piece and a positioning hole, which can control the valve's opening or closing position accurately, and also the handle is optional for a lock for locking as required by customers to prevent misoperation.



阀座 Valve Seat

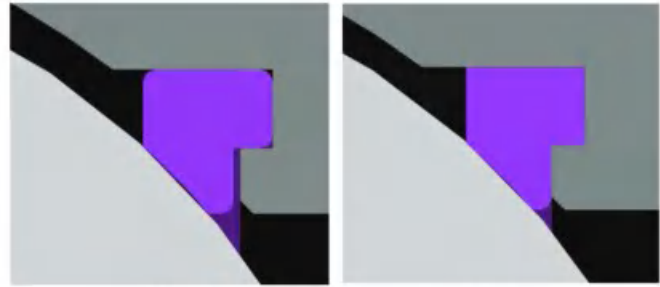
阀座采用弹性槽减压设计，在低压和高压下均能提供可靠地密封，并且具有自动泄压的功能，当阀腔压力异常升高时，阀腔介质能依靠本身的压力挤压弹性阀座而自动泄压，从而确保了阀门安全以及有效的降低了阀门的操作扭矩。

所有阀座在径向方向均设有V型切口，这样的设计，可防止软密封阀座材料因受热膨胀而导致阀门卡死不能动作。

All seats are provided with a V-notch in the radial direction, and such a design can prevent the soft-seal seat material from being heated and expanding to result in the valve's seizure and failure of action.

The seat adopts an elastic groove decompression design so as to provide reliable sealing at either low or high pressures.

Also it has an automatic pressure relief function: when the valve cavity pressure rises abnormally, the medium in the cavity can rely on its own pressure to squeeze the elastic seat for automatic pressure relief, thus ensuring safety of the valve and effectively reducing the valve's working torque.



低压时
At a low pressure

高压时
At a high pressure

防火结构 Fire-proof Structure

公司生产的所有阀门均带有防火结构设计。当发生火灾或其他因素导致阀门温度过高使软密封阀座受损时，球体会随着管道内介质压力的推动与阀体金属密封面接触形成第二级金属对金属密封，从而保证阀门在软密封阀座受损后依然具有良好的密封性能；同样在阀门阀体和阀盖之间（中道）采用止口法兰、金属对金属二级密封设计，这样的设计可对阀座和中道垫片提供恒定的预紧力，防止阀座和中道垫片被无限压缩而失效，同时

有效的降低了阀门因管道震动、扭转等其他外力因素对中道垫片造成的损坏，从而起到保护阀座和中道垫片，降低阀门操作扭矩，延长阀门使用寿命的作用。若客户要求阀门为防火型，公司可提供不锈钢加柔性石墨缠绕式或复合型垫片。

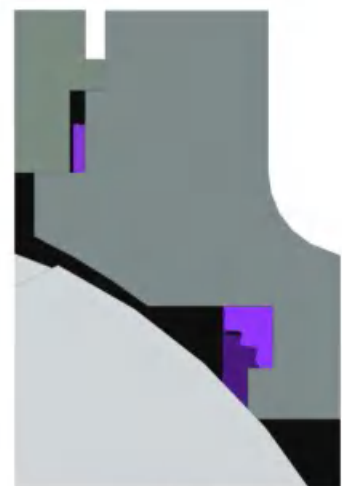
All of our valves are provided with a fire-proof structure design. If the valve is over-temperature, due to a fire or any other factor, so that the soft seal seat is damaged, the ball will be pushed by the medium pressure inside the pipeline to contact the valve body's metal sealing surface to form secondary metal-to-metal sealing, thus ensuring that the valve can still have a good sealing performance even if the soft seal seat is damaged; likewise, a design of rabbet flange and metal-to-metal secondary sealing is adopted between the valve's body and bonnet, and such a design can provide a constant pretightening force for the seat and the mid-way washer to prevent them from being compressed infinitely and failing and also effectively reduce damages to the mid-way washer caused by pipeline vibration, distortion or any other external force factor, thus protecting the seat and the mid-way washer, reducing the valve's working torque and extending the valve's service life. If any customer requires a fire-proof valve, our company can provide stainless steel plus flexible graphite spiral wound or composite washers.



球体 Ball



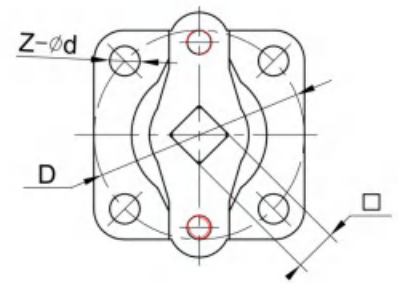
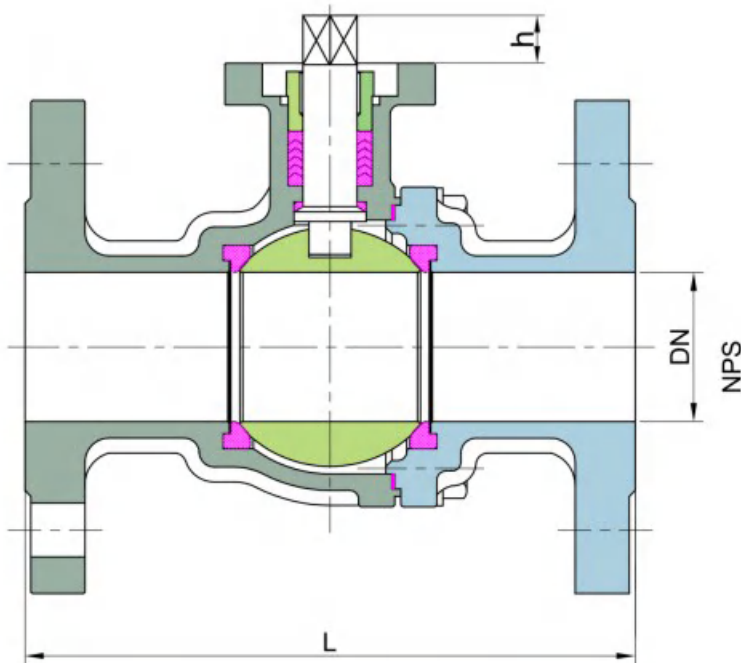
受损前
Before damage



受损后
After damage

所有阀门球体均经磨床精密加工而成，表面采用镜面抛光技术，有效的保证了球体的圆度。根据客户的不同需求，公司可提供实心球和空心球。

All balls adopt precision machining by grinding machines and their surfaces adopt mirror polishing technology to effectively guarantee the roundness of the ball. Our company can provide solid or hollow balls in accordance with different needs of customers.



承诺:

公司产品从设计、生产、装配及出厂检验均严格执行相关的国家标准和客户的要求, 以提供客户满意产品为宗旨, 及时可信的服务为原则, 严谨的过程质量控制为准则, 最终服务客户, 满足客户。

Commitment:

Relevant national standards and customer requirements are strictly implemented for the company's products from design, production, assembly and factory inspection, and we uphold this philosophy: provide products satisfying customers, this principle: timely and credible services, and this rule: strict process quality control, to serve and satisfy customers finally.

规格 Spec		结构长度L Structural Length L				连接平台 Connection Platform			轴 Shaft		操作扭矩Nm Working Torque/Nm				Kv
DN	NPS	≤2.5L	4.0	150Lb	300Lb	F	D	Z-φd	□	h	≤2.5	4.0	150Lb	300Lb	
15	1/2	130	140	108	140	F05	50	4-7	9×9	10	8	9	7	10	2.86
20	3/4	130	152	117	152	F05	50	4-7	9×9	10	12	14	10	16	6.12
25	1	140	165	127	165	F05	50	4-8	11×11	12	18	24	16	25	10.6
32	1-1/4	165	178	140	178	F05	50	4-8	11×11	12	28	32	24	35	17.4
40	1-1/2	165	190	165	190	F07	70	4-10	14×14	16	40	45	35	50	24.5
50	2	203	216	178	216	F07	70	4-10	14×14	16	55	61	50	70	41
65	2-1/2	222	241	190	241	F07	70	4-10	14×14	16	85	100	80	110	65
						F10	102	4-12	17×17	19					
80	3	241	283	203	283	F10	102	4-12	17×17	19	130	150	120	160	93
100	4	305	305	229	305	F10	102	4-12	19×19	21	190	250	180	280	170
						F12	125	4-14							
125	5	356	381	356	381	F12	125	4-14	22×22	24	320	450	280	600	265
150	6	394	403	394	403	F14	140	4-18	27×27	29	620	735	540	910	382
200	8	457	502	457	502	F16	165	4-22	36×36	38	1100	1295	960	1680	685



代理商 (Agents)

WOTUO® 沃托

上海沃托阀门有限公司

SHANGHAI WOTUO VALVE CO.,LTD.

地址：上海市奉贤区川南奉公路9860号

电话：021-57522756

传真：021-33275154

<http://www.wotuo.net>

E-mail:swb@wotuo.net

Add : No. 9860, Chuannanfeng Road, Fengxian District, Shanghai

Tel : 021-57522756

Fax : 021-33275154

<http://www.wotuo.net>

E-mail:swb@wotuo.net